

PC31

SINGLE DISC NON-SLAM INLINE CHECK VALVES



DESCRIPTION:

PC31 is a stainless steel inline single disc non slam check valves for general purpose applications. These valves are compact & lighter than the conventional swing check valves. These can be easily fitted in the pipeline.

FEATURES:

- Can be easily mounted in any plane & direction.
- Can operate under extremely low opening pressure.
- Tested to API 598
- Occupies less space due to its compact design.

SIZES: DN 15-50 Screwed (NPT)

PRESSURE RATING: #300

INSTALLATION:

Inline Check valve can be fixed in any position in the direction of flow.

MATERIAL:

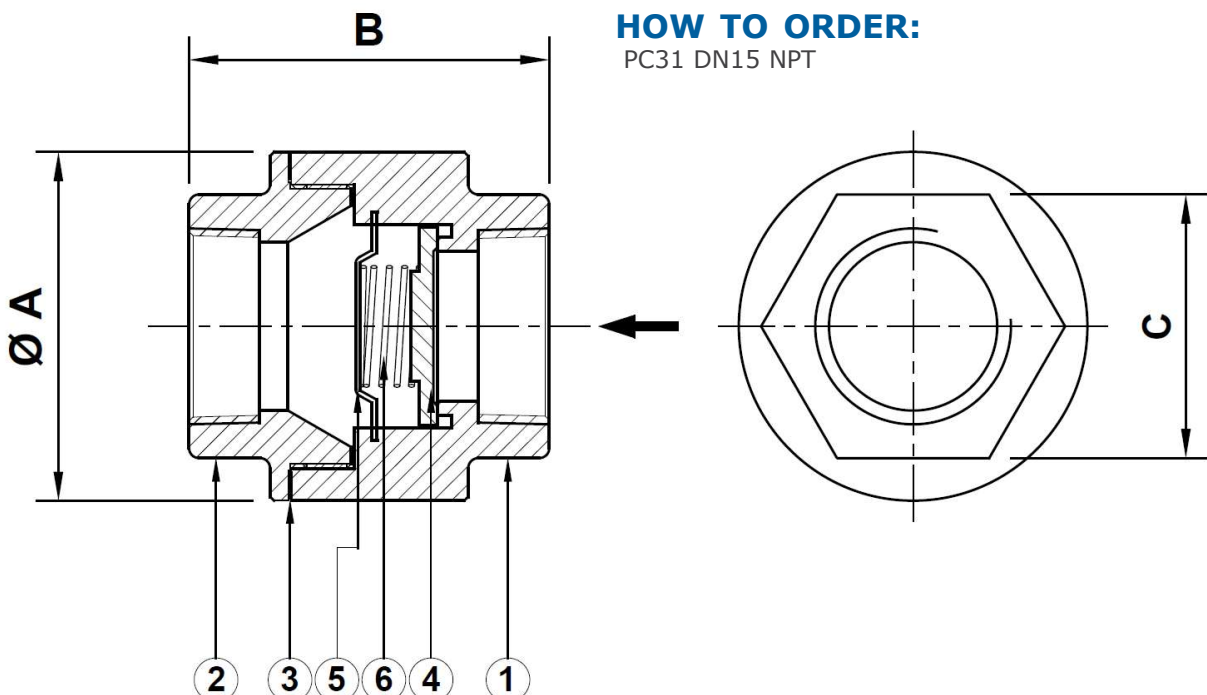
SR NO	PART NAME	MATERIAL	QTY
1	BODY	ASTM A351 GR. CF8M	01
2	COVER	ASTM A351 GR. CF8M	01
3	COVER GASKET	GRAPHITE	01
4	DISC	AISI 316	01
5	CLIP	AISI 316	01
6	SPRING	AISI 316	01

DIMENSIONS: (approx.) in mm

SIZE	A	B	C	WEIGHT (kg)
DN15	44.0	58.0	36.0	0.45
DN20	56.0	62.0	42.0	0.65
DN25	62.0	70.5	50.0	0.90
DN32	80.0	85.5	65.0	1.83
DN40	86.0	89.5	65.0	1.90
DN50	101.0	101.5	80.0	2.80

HOW TO ORDER:

PC31 DN15 NPT



Local regulations may restrict the use of this product below the conditions quoted. Limiting conditions refer to standard connections only. In the interest of development and improvement of the product, we reserve the right to change the specifications without prior notice.