

PT33U

BALANCED PRESSURE THERMOSTATIC STEAM TRAP WITH UNIVERSAL CONNECTION

DESCRIPTION:

PT33U is a balanced pressure thermostatic steam trap with Y-type internal strainer and a universal connection. It provides a handy solution for maintenance & replacement without disturbing the existing pipeline.

It is a perfect NO-Loss steam trap that offers condensate sub-cooling to maximize thermal efficiency.

Thermostatic Steam trap having strainer & Complete replaceable working parts (Controller Assembly & Gasket) facilitating economical & easy maintenance.

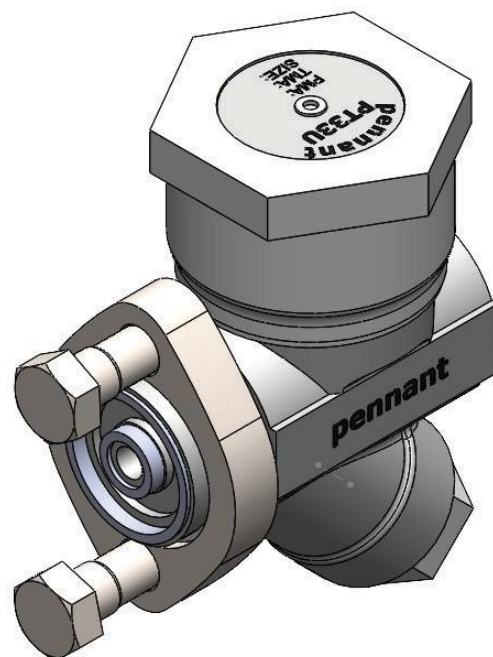
SIZES: Universal Connection

SUB COOLING:

10K - Standard

INSTALLATION:

1. Prior to installation, clean the lines by blowing through at full steam pressure to remove dirt. This should be strictly followed when the lines are new.
2. For steam trapping applications, the trap should be fitted below the equipment to be drained and as close to the drain point as possible, preferably in horizontal position with the cover on top.



IMPORTANT:

Do not DE-pressurize the trap before it cools. Sudden loss of pressure in a trap which is hot causes permanent damage to the controller.

LIMITING CONDITIONS:

PMA: Max Allowable Pressure	22 bar(g)
TMA: Max Allowable Temperature	425°C
PMO: Max Operating Pressure	22 bar(g)
TMO: Max Operating Temperature	220 °C
Cold Hydro Test Pressure	33 bar(g)

MAINTENANCE:

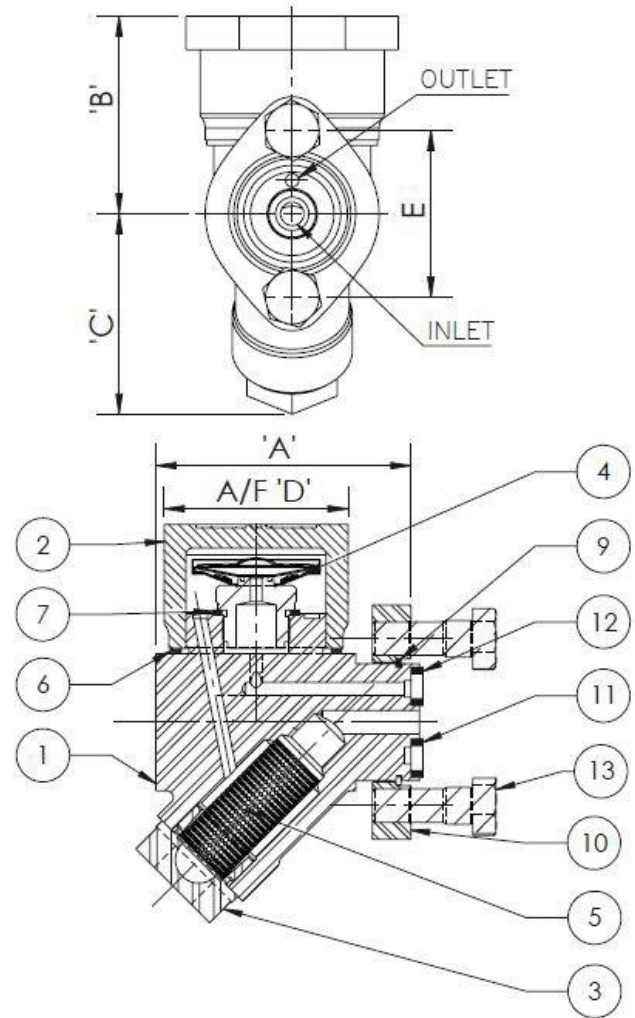
The trap can be maintained inline without disturbing piping connections when fitted with Compact Module/Universal Connector. Ensure that trap is isolated - Upstream & downstream side before attempting to dismantle it. Allow the trap to cool & depressurize before dismantling.

DIMENSIONS:

MODEL	A	B	C	D	E	WEIGHT (kg)
PT33U	76	56	56	54	51	2.1

MATERIAL:

SR. NO	PART NAME	MATERIAL QTY	QTY
1	BODY	ASTM A105	01
2	COVER	ASTM A105	01
3	STRAINER CAP	ASTM A743 Gr. CA40	01
4	CONTROLLER ASSEMBLY	AISI 304	01
5	STRAINER SCREEN	AISI 304	01
6	COVER GASKET	COPPER	01
7	GASKET		01
8	LABEL (NOT SHOWN)	AISI 304	01
9	RETAINER RING	AISI 304	01
10	CONNECTOR FLANGE	ASTM A743 Gr. CA40	01
11	CONNECTOR GASKET (Inner)	GRAPHITE WITH SS REINFORCEMENT	01
12	CONNECTOR GASKET (Outer)		01
13	BOLT- CONNECTOR 3/8-16 UNC	SS 304	02



AVAILABLE SPARES:

Controller & Valve Seat Assembly, Gaskets, Strainer Screen.

HOW TO ORDER:

PT33U IBR

ORDERING INFORMATION:

1. Inlet Pressure barg
2. Back Pressure barg
3. Operating Temperature °F
4. Condensate load kg/hr
5. Size & Model
6. Sub cooling K
7. IBR / NIBR

DISCHARGE CAPACITY:

