

# PT31HU

## BALANCED HIGH PRESSURE THERMOSTATIC STEAM TRAP WITH UNIVERSAL CONNECTION

### DESCRIPTION:

PT31HU is a balanced high pressure thermostatic steam trap with internal strainer and a universal connection. It provides a handy solution for maintenance & replacement without disturbing the existing pipeline. It is a perfect NO-Loss steam trap that offers condensate subcooling to maximize thermal efficiency.

Thermostatic Steam trap having strainer & Complete replaceable working parts (Controller Assembly & Gasket) facilitating economical & easy maintenance.

**SIZES:** UNIVERSAL END CONNECTION

### SUB COOLING:

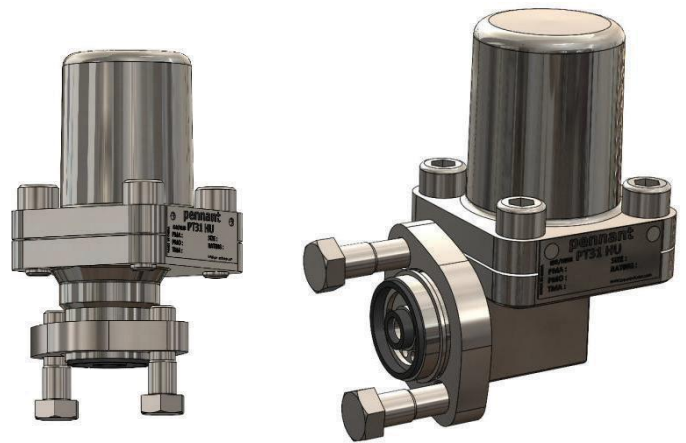
10 K - Standard

### LIMITING CONDITIONS:

PMA: Max Allowable Pressure	725 psi(g)
TMA: Max Allowable Temperature	800 °F
PMO: Max Operating Pressure	450 psi(g)
TMO: Max Operating Temperature	600 °F
Cold Hydro Test Pressure	1085 psi(g)

### INSTALLATION:

1. Prior to installation, clean the lines by blowing through at full steam pressure to remove dirt. This should be strictly followed when the lines are new.
2. For steam trapping applications, the trap should be fitted below the equipment to be drained and as close to the drain point as possible, preferably in position with the cover on top.



### MAINTENANCE:

The trap can be maintained inline without disturbing piping connections when fitted with Compact Module. Ensure that trap is isolated- Upstream & downstream side before attempting to dismantle it.

Allow the trap to cool & depressurize before dismantling.

### IMPORTANT:

Do not de-pressurize the trap before it cools. Sudden loss of pressure in a trap which is hot causes permanent damage to the controller.

**DIMENSIONS:**

MODEL	A	B	C	D	E	F
PT31HU-V	2.8	4.8	5.6	1.8	2.8	2
PT31HU-H	2.8	3.6	4.5	3.9	5	2

**MATERIAL:**

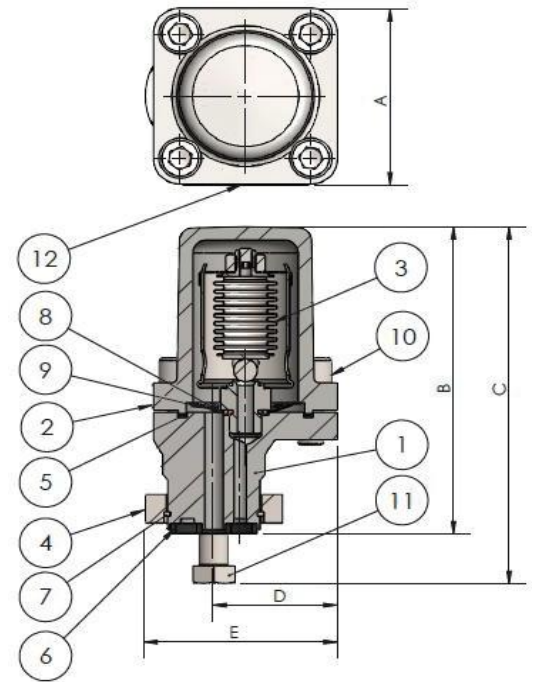
Sr. No.	DESCRIPTION	MATERIAL	QTY
1	UNIVERSAL BODY V/H	ASTM A351 CF8 / AISI 304	1
2	COVER	ASTM A351 CF8 / AISI 304	1
3	BELLOW ASSEMBLY	SS	1
4	CONNECTOR FLANGE	ASTM A743 Gr.CA40 / AISI 410	1
5	COVER GASKET	GRAPHITE WITH SS REINFORCEMENT	1
6	CONNECTOR GASKET	REINFORCEMENT	1 SET
7	RETAINER RING	SS	1
8	GASKET	COPPER	1
9	STRAINER SCREEN	SS	1
10	BOLT	SS	4
11	BOLT CONNECTOR (3/8-16 UNC)	SS	2
12	LABEL	AISI 304	1

**AVAILABLE SPARES:**

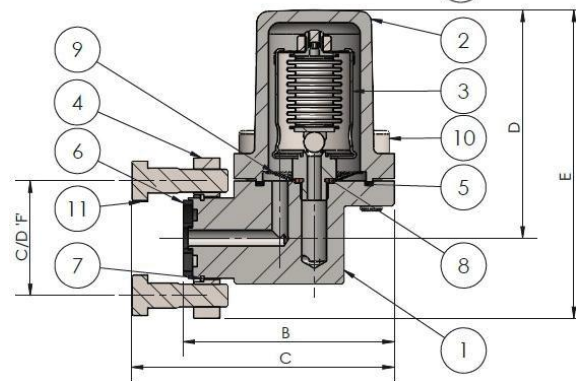
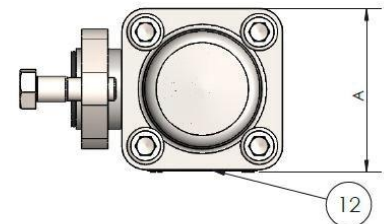
Controller & Valve Seat Assembly, Gaskets, Strainer Screen.

**ORDERING INFORMATION:**

- 1) Inlet Pressure psi (g)
- 2) Back Pressure psi (g)
- 3) Operating Temperature °F
- 4) Condensate load lbs/hr
- 5) Sub cooling K

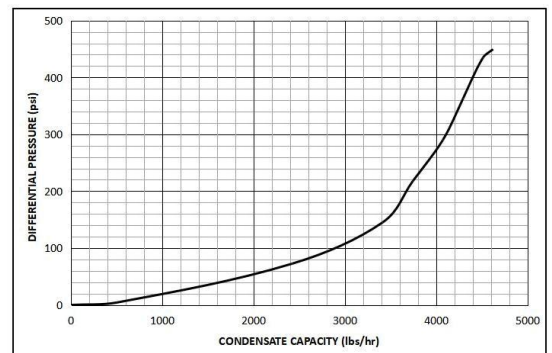


**PT31HU-V**



**PT31HU-H**

**DISCHARGE CAPACITY:**



Local regulations may restrict the use of this product below the conditions quoted. Limiting conditions refer to standard connections only. In the interest of development and improvement of the product, we reserve the right to change the specifications without prior notice.

All Dimensions are in inches. Weights in lbs.