

PT31H

BALANCED PRESSURE THERMOSTATIC STEAM TRAPS



DESCRIPTION:

The PT31H is a balanced pressure expansion type bellow steam trap for draining instrument tracing lines and other similar applications. This steam trap is designed to remove condensates at temperatures below the saturation temperature of steam. Subcooling available: Standard-10K

SIZES: NPS 1/4", 3/8", 1/2", 3/4"

CONNECTIONS: Screwed (NPT, BSPT, BSP)
Socket Weld

MATERIAL:

NO.	PART	MATERIAL	QTY. (Nos.)
1	BODY	AISI 304	1
2	COVER	AISI 304	1
3	VALVE SEAT	AISI 304	1
4	CAGE BODY	AISI 304	1
5	CAGE COVER	AISI 304	1
6	BELLOW ASSEMBLY	SS	1
7	GASKET	COPPER	1
8	STRAINER SCREEN	AISI 304	1
9	BOLT	SS	4
10	GASKET	GRAPHITE WITH AISI 304 REINFORCED	1

*ASTM-A182 GR-F304 on special request.

DIMENSIONS: Nominal in mm

SIZE(A)	Ø D	L	Wt.
NPS 1/4", 3/8", 1/2", 3/4"	3.9	5.1	2.64 lbs

LIMITING CONDITIONS:

PMA: Max. allowable pressure	725 psig
TMA: Max. allowable temp.	800 °F
PMO: Max. operating pressure	450 psig
TMO: Max. operating temp.	600 °F
Cold hydro test pressure	1088 psig

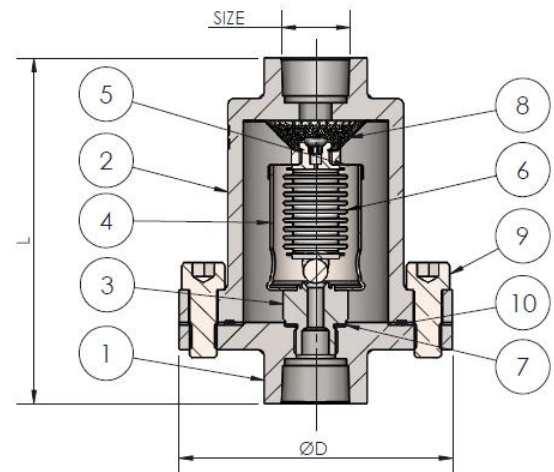
INSTALLATION: Vertical with inlet at top

AVAILABLE SPARES:

Controller, Strainer Screen, Gasket.

ORDERING INFORMATION:

- 1) Inlet Pressure in psig
- 2) Back Pressure in psig
- 3) Operating Temperature in °F
- 4) Condensate Load in lbs/hr
- 5) Size & Model
- 6) End Connections
- 7) Sub cooling °F



DISCHARGE CAPACITY:

