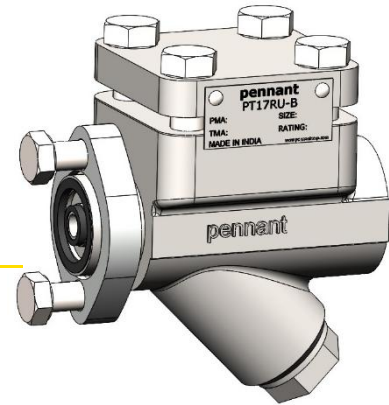


# PT17RU-B

## THERMODYNAMIC STEAM TRAP WITH UNIVERSAL CONNECTION



### DESCRIPTION:

Thermodynamic Steam trap having strainer & Complete replaceable working parts (disc & seat) facilitating economical & easy maintenance.

Lapped disc and seat provide a steam tight seal, withstanding continuous and prolonged operation. Condensate entry below the disc ensures a clean parallel lift of the disc with reference to the seat, eliminating localized wear & tear. Ideal for fluctuating loads and pressures.

**SIZES:** Universal Connection

### INSTALLATION:

This trap operates in any position but preferred installation is in horizontal plane with disc & cap on top. Isolation valves should be opened slowly until normal operating conditions are achieved to avoid system shocks.

### MAINTENANCE:

The trap can be maintained inline without disturbing piping connections when fitted with Compact Module/Universal Connector. Ensure that trap is isolated- Upstream & downstream side before attempting to dismantle it.

Allow the trap to cool & depressurize before dismantling. For trouble-free performance, periodic cleaning of the disc and seat is recommended. Only the disc & seat are subjected to wear. A worn Disc & seat should be replaced, as a set along with gaskets.

### IMPORTANT:

The Trap should be installed as close to the drain point as possible. For new installation system should be flushed prior to installation.

### LIMITING CONDITIONS:

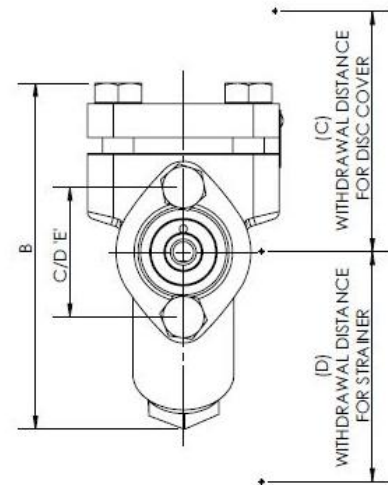
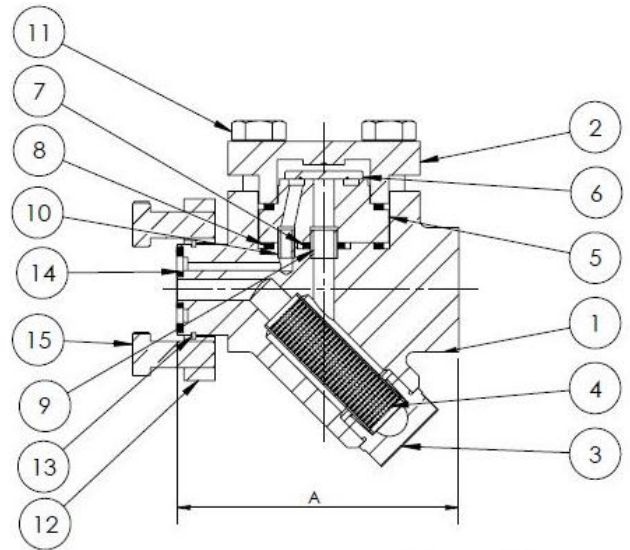
PMA: Max. Allowable Pressure	1285 psig @ RT
TMA: Max. Allowable Temperature	800 °F
PMO: Max. Operating Pressure	725 psig
TMO: Max. Operating Temperature	800 °F
Cold Hydro Test Pressure	1930 psig
Max. Diff. Pressure for Satisfactory Operation	3.6 psi
Maximum operating back pressure at the outlet should not exceed 80% of the inlet pressure.	

### DIMENSIONS:

MODEL	A	B	C	D	E	WEIGHT (lbs)
PT17RU-B	4	5.2	3.9	4.2	2	6.3

### MATERIAL:

SR. NO	PART NAME	MATERIAL	QTY
1	BODY	ASTM A105	01
2	COVER	ASTM A105	01
3	STRAINER CAP	ASTM A743 Gr. CA40	01
4	STRAINER SCREEN	AISI 304 (φ0.8 PERF.)	01
5	DISC SEAT (Hardened)	AISI 420	01
6	DISC (Hardened)	AISI 420	01
7	GASKET	Spiral Wound	01
8	GASKET	AISI304 Graphite Filler	02
9	LOCATOR	AISI 304	01
10	TUBE	AISI 304	01
11	BOLTS	ASTM A193 Gr. B7	04
12	CONNECTOR FLANGE	ASTM A743 Gr.CA40	01
13	RETAINER RING	STAINLESS STEEL	01
14	CONNECTOR GASKET	GRAPHITE WITH SS REINFORCEMENT	02
15	BOLT-CONNECTOR 3/8 - 16 UNC	SS 304	02



### AVAILABLE SPARES:

Disc, Disc Seat, set of gaskets, Strainer Screen(Packet of 5), Blow Down Valve.

### ORDERING INFORMATION:

- 1) Inlet Pressure in psig
- 2) Back Pressure in psig
- 3) Model

### DISCHARGE CAPACITY:

