

PT17R

THERMODYNAMIC STEAM TRAPS



PT17R with
Threaded Cap

PT17R with
Bolted Cover

DESCRIPTION:

Fully repairable Thermodynamic steam trap with integral strainer, in forged carbon steel construction, for steam mains, tracers, headers & drip legs.

FEATURES:

- All Repairable Working Parts
- Easy to repair – Bolted Bonnets
- Complete stainless steel internals ensure better mechanical and corrosion resistance properties, hence longer life
- Hardened and lapped disc and seat provide a steam tight seal, withstanding continuous and prolonged operation
- Ideal for fluctuating loads and pressures
- Perfect shut off, no steam loss

SIZES: DN15, 20, 25

CONNECTIONS: Screwed (NPT/BSPT/BSP)
Socket Weld, Flanged*,
Butt Weld

*End connection flanges of ASTM A105 forged carbon steel are welded on.

Non IBR/IBR approved

LIMITING CONDITIONS:

	With Bolted Cover	With Threaded Cap
PMA: Max. allowable pressure	50 bar(g)	31.6 bar (g)
TMA: Max. allowable temperature	425° C	425° C
Maximum operating back pressure at the outlet should not exceed 80% of the inlet pressure.		
Minimum differential pressure for satisfactory operation	0.25 bar	0.25 bar (g)
Cold hydro test pressure	75 bar(g)	63.2 bar (g)

INSTALLATION:

The trap will operate in any position but the preferred installation is in the horizontal plane with the disc cap on the top. Isolating valves should be installed upstream and downstream of the trap. Always open isolation valves slowly until normal operating conditions are achieved to avoid system shocks.

MAINTENANCE:

The trap can be maintained inline without disturbing the piping connections. Ensure that the trap is isolated – upstream and downstream- before attempting to dismantle it.

ALLOW THE TRAP TO COOL AND DEPRESSURIZED BEFORE DISMANTLING.

For trouble-free performance, periodic cleaning of the disc and seat is recommended.

Do not use abrasive/corrosive media for cleaning.

Only the disc and seat are subject to wear.

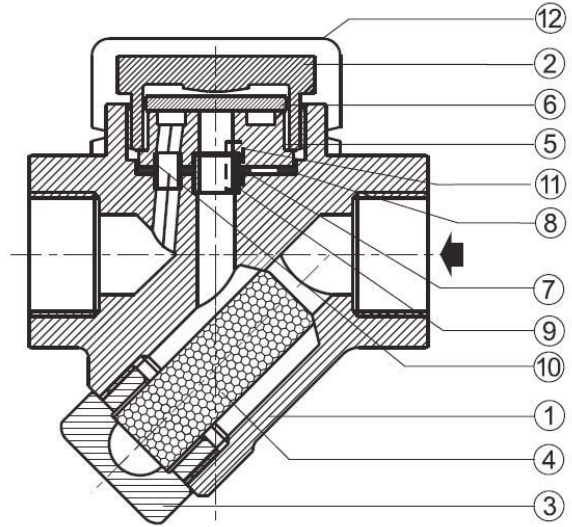
A worn disc and seat should be replaced, as a set, along with the gaskets.

IMPORTANT:

The traps should be installed as close as possible to the system drain point. For new installation, the system should be flushed prior to installation.

MATERIAL: FOR PT17R WITH THREADED CAP

NO.	PART	MATERIAL	QTY. (Nos.)
1.	BODY	ASTM A105	1
2.	DISC CAP	ASTM A743 Gr. CA40	1
3.	STRAINER CAP	ASTM A743 Gr. CA40	1
4.	STRAINER SCREEN	AISI 304 (Perforated Sheet 0.8)	1
5.	DISC SEAT (Hardened)	AISI 420/D2	1
6.	DISC (Hardened)	AISI 410/420/D2	1
7. & 8.	GASKET	SPIRAL WOUND - (SS) WITH GRAFOIL FILLER	2
9.	LOCATOR	AISI 304	1
10.	TUBE	AISI 304	1
11.	PIN	AISI 304	2
12.	ISOTUB	STAINLESS STEEL	1

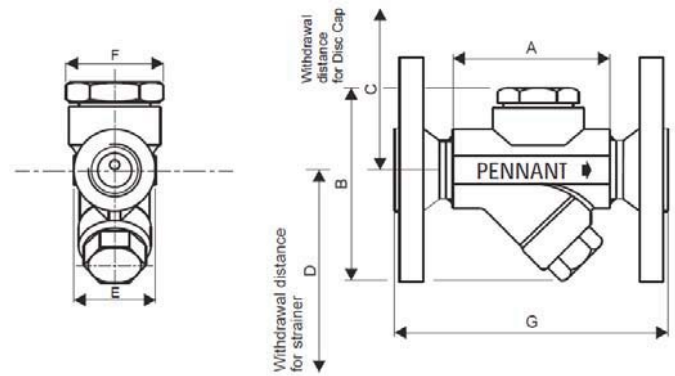


DIMENSIONS:

Nominal in mm

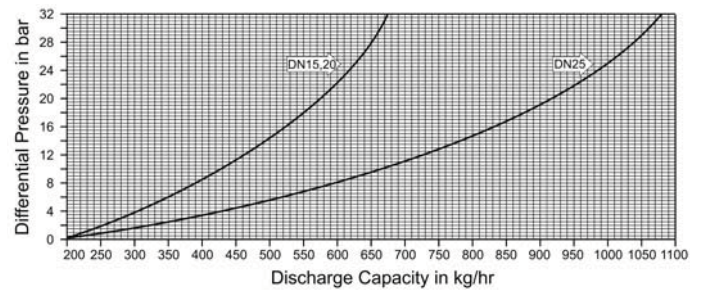
For Screwed/Socket Weld Trap

Model	Size	End Connection	A	B	C	D	E	F	Weight approx.
PT17R Threaded	DN15, 20	SW/ BSP/ BSPT/ NPT	85	102	55	85	40.5	42	1.3 kg
	DN25	BSPT/ NPT	102	115	65	90	48	50	2.0 kg



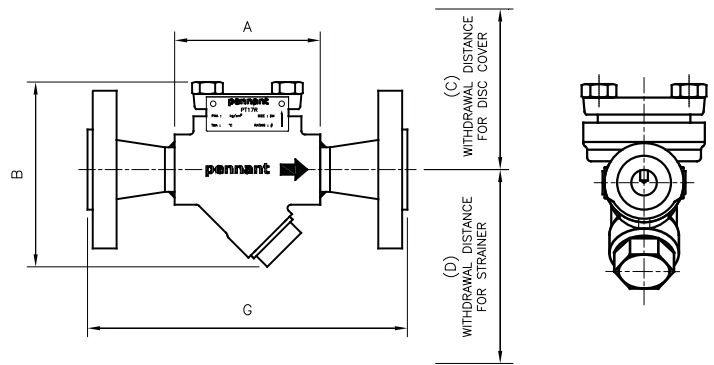
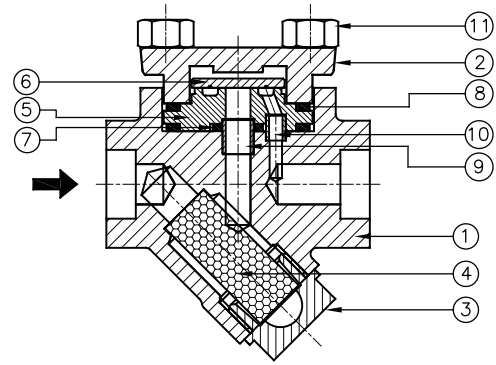
For Flanged Trap

Model	Size / Rating	G	Weight approx.
PT17R Threaded	DN15 #150	166	2.5 kg
	DN15 #300	176	2.9 kg
	DN15 #600	188	3.3 kg
	DN20 #150	170	2.9 kg
	DN20 #300	180	3.9 kg
	DN20 #600	192	4.6 kg
	DN25 #150	193	4.1 kg
	DN25 #300	205	5.9 kg
	DN25 #600	219	6.4 kg



MATERIAL: FOR PT17R WITH BOLTED COVER

NO.	PART	MATERIAL	QTY. nos.
1	BODY	ASTM A105	1
2	COVER	ASTM A105	1
3	STRAINER CAP	ASTM A743 Gr. CA40	1
4	STRAINER SCREEN	AISI 304 (φ0.8 PERF.)	1
5	DISC SEAT (Hardened)	AISI 420	1
6	DISC (Hardened)	AISI 420	1
7	GASKET	Spiral Wound	1
8	GASKET	AISI304 Graphite Filler	2
9	LOCATOR	AISI 304	1
10	TUBE	AISI 304	1
11	BOLTS	ASTM A193 Gr. B7	4



OPTIONAL FITTINGS

Blow Down Valve: When the blow down valve is opened, loose material collected in the strainer is purged

DIMENSIONS:

Nominal in mm

For Screwed/Socket Weld Trap

Model	Size	End Connection	A	B	C	D	Weight approx.
PT17R Bolted	DN15, 20	SW/ BSP/ BSPT/ NPT	85	108	82	88	1.5 kg
	DN25		102	134	100	108	2.4 kg

For Flanged Trap

Model	Size / Rating	G	Weight approx.
PT17R Bolted	DN15 #150	166	2.5 kg
	DN15 #300	176	2.9 kg
	DN15 #600	188	3.3 kg
	DN20 #150	170	2.9 kg
	DN20 #300	180	3.9 kg
	DN20 #600	192	4.6 kg
	DN25 #150	193	4.1 kg
	DN25 #300	205	5.9 kg
	DN25 #600	219	6.4 kg

HOW TO ORDER:

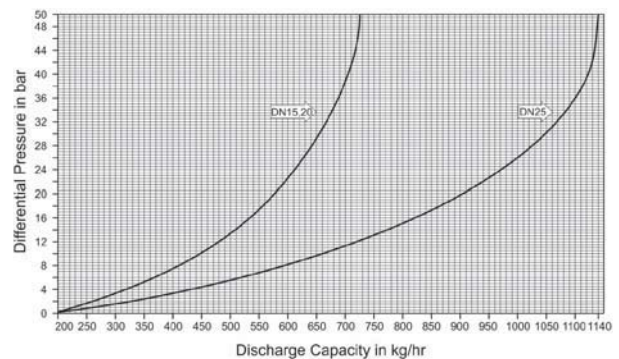
PT17R DN25 BSP NIBR

ORDERING INFORMATION:

- 1) Inlet Pressure in bar(g)
- 2) Back Pressure in bar(g)
- 3) Operating Temperature in °C
- 4) Condensate Load in kg/hr
- 5) Size & Model
- 6) End Connections
- 7) IBR/Non-IBR

AVAILABLE SPARES:

Disc, Disc Seat, Set of Gaskets, Strainer Screen (Packet of 5), Blow Down valve



Local regulations may restrict the use of this product below the conditions quoted. Limiting conditions refer to standard connections only. In the interest of development and improvement of the product, we reserve the right to change the specifications without prior notice.