

PT65H

FLOAT & THERMOSTATIC STEAM TRAPS 1½" & 2"



DESCRIPTION:

High capacity float and thermostatic steam trap with internal air vent, designed for draining condensate from all types of low and medium pressure steam heating and process equipment. Typical applications include unit heaters, heat exchangers, driers and jacketed vessels. Horizontal installation.

AVAILABLE TYPES:

PT65H - with thermostatic air vent
PT65H S - SLR (with steam lock release)
PT65H C - with thermostatic air vent and SLR

FEATURES:

Modulating discharge.
Discharges condensate at steam temperature.
Excellent air venting (by thermostatic air vent).

USE: Saturated and superheated steam

SIZES: NPS 1½, 2

CONNECTIONS: Screwed (NPT/BSPT/BSP)

LIMITING CONDITIONS:

PMA: Max. allowable pressure	250 psig
TMA: Max. allowable temperature	425 °F
PMO: Max. operating pressure	200 psig
TMO: Max. operating temperature	425 °C
Body shell design rating	286 psig 800 °F
Cold hydro test pressure	375 psig

INSTALLATION:

Horizontal installation with flow from left to right. The trap should be installed horizontally below the drain point of the equipment in a position such that the float arm is in a horizontal plane and the float rises and falls vertically, with the flow direction as indicated on the cover.

The arrow on the nameplate should be pointing vertically upwards.

Max. differential pressure range:

PT65H (Double Orifice): 65 psi

PT65H (Rotary Orifice): 200

TRAP DISCHARGE CAPACITY IN lbs/hr

MODEL	DIFFERENTIAL PRESSURE (psi)															
	0.5	1	2	5	10	15	20	30	40	65	90	115	145	170	185	200
PT65H-65 Double Orifice	6930	8470	11480	13300	14050	16280	17650	21860	25400	33660	-	-	-	-	-	-
PT65H-200 Rotary Orifice	2040	2700	3820	6050	8580	10250	12100	14490	17160	21730	25100	29000	32400	35500	36900	38340

MATERIAL:

NO.	PART	MATERIAL	QTY. (Nos.)
1.	BODY	CAST IRON	01
2.	COVER	CAST IRON	01
3.	GASKET	GRAPHITE WITH SS REINFORCEMENT	01
4.	VALVE SEAT	AISI 410/420	02
5.	VALVE PIN		02
6.	BALL FLOAT	AISI 304	01
7.	LEVER	AISI 304	01
8.	AIR VENT	STAINLESS STEEL	01
9.	BOLT	HIGH TENSILE	06
10.	DRAIN PLUG	CARBON STEEL	01
11.	STEM	AISI 304	01
12.	SLR UNIT	AISI 304	01

WEIGHTS: Screwed – 64 lbs

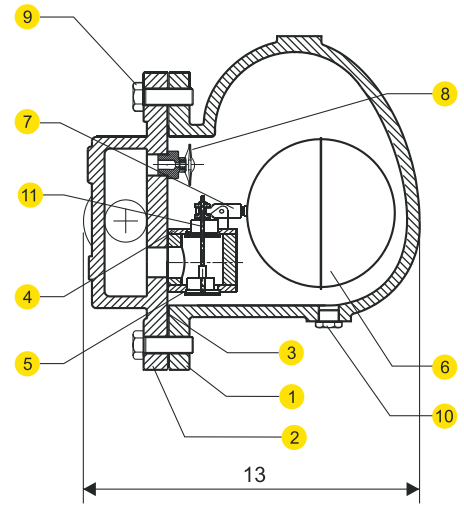
AVAILABLE SPARES:

The Housing Assly., Air Vent Assly., Gaskets

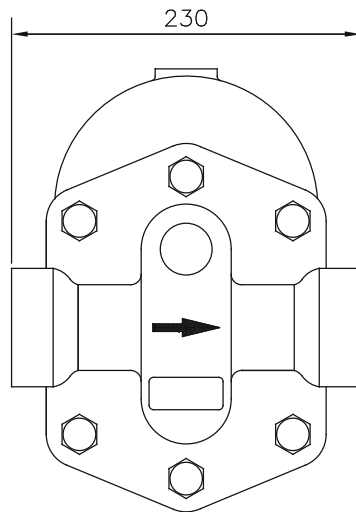
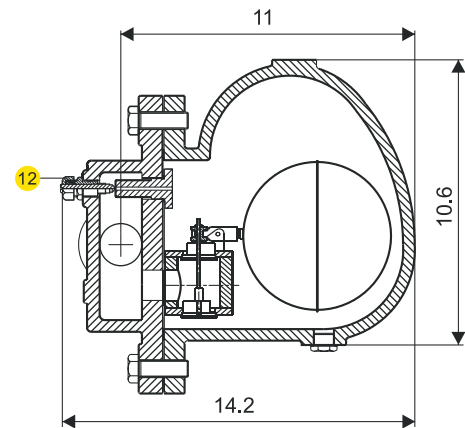
ORDERING INFORMATION:

Refer 'How to Order' page.

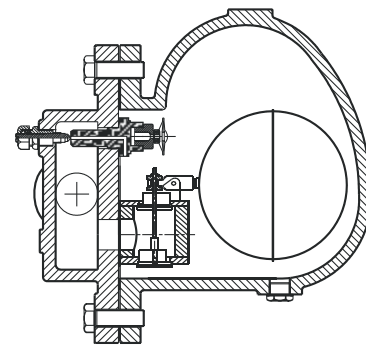
PT65H - Double Orifice



PT65HS - Double Orifice



PT65HC - Double Orifice



DIMENSIONS - Nominal in inches

MATERIAL:

NO.	PART	MATERIAL	QTY. (Nos.)
1.	BODY	CAST IRON	01
2.	COVER	CAST IRON	01
3.	COVER GASKET	GRAPHITE WITH SS REINFORCEMENT	01
4.	VALVE SEAT HOUSING	AISI 304	01
5.	VALVE PIN		01
6.	STEM	AISI 304	01
7.	FLOAT ASSLY.	AISI 304	01
8.	AIR VENT	AISI 304	01
9.	BOLT	HIGH TENSILE	06
10.	DRAIN PLUG	CARBON STEEL	01
11.	SLR UNIT	AISI 304	01

WEIGHTS: Screwed - 64 lbs

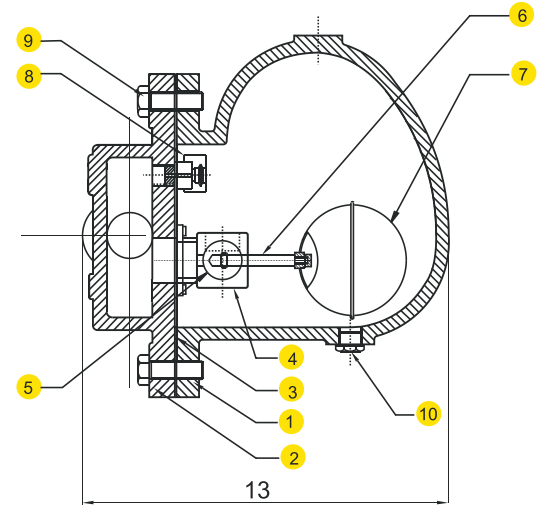
AVAILABLE SPARES:

The Housing Assly., Air Vent Assly., Gaskets

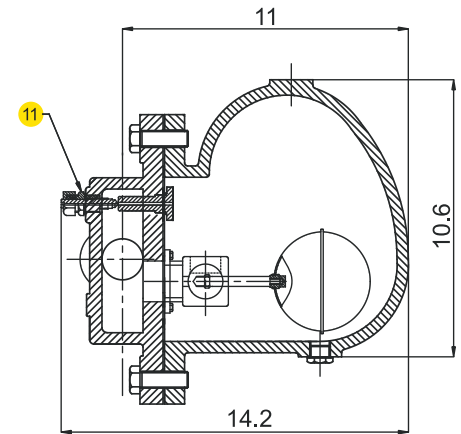
ORDERING INFORMATION:

Refer 'How to Order' page

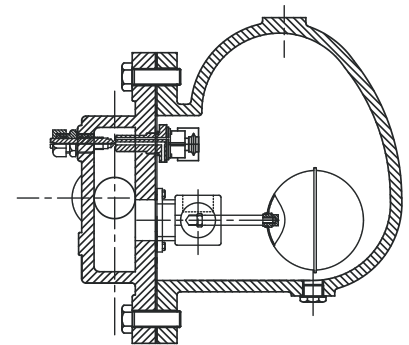
PT65H - Rotary Orifice



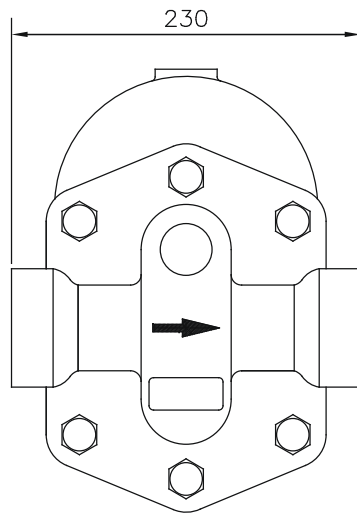
PT65H-S - Rotary Orifice



PT65H-C - Rotary Orifice



DIMENSIONS - Nominal in inches



Local regulations may restrict the use of this product below the conditions quoted. Limiting conditions refer to standard connections only. In the interest of development and improvement of the product, we reserve the right to change the specifications without prior notice.