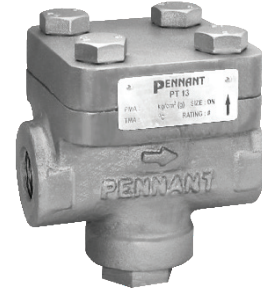


# PT13

## THERMODYNAMIC STEAM TRAPS



### DESCRIPTION:

Thermodynamic steam trap in alloy steel construction with full stainless steel internals. Best suited for medium/high pressure line drains, with low to medium condensate load.

### FEATURES:

- Complete stainless steel internals ensure better mechanical & corrosion resistance properties.
- Condensate entry below the disc, concentric to the disc/seat ensures a clean & parallel lift of the disc with reference to the seat, eliminating localised wear & tear.
- The disc & seat are fully hardened by a special hardening process, to withstand continuous, prolonged operation.
- Perfect shut off, no steam loss.
- Robust, maintenance free, fully guaranteed.

**SIZES:** NPS 1/2, 3/4

### CONNECTIONS:

Socket Weld/Flanged\*

\*End connection flanges are welded on.

### LIMITING CONDITIONS:

PMA: Max. allowable pressure	925 psig
TMA: Max. allowable temperature	950 °F
Maximum operating back pressure at the outlet should not exceed 80% of the inlet pressure.	
Minimum differential pressure for satisfactory operation	21 psi
Cold hydro test pressure	1400 psig

### INSTALLATION:

The trap will operate in any position but the preferred installation is in a horizontal position with the cover on the top. Full port isolating valves should be installed upstream and downstream of the trap. Always open isolation valves slowly until normal operating conditions are achieved to avoid system shocks.

### MAINTENANCE:

All worn or damaged parts should be replaced with new spares. The disc seat is not replaceable. Ensure that all gaskets are replaced every time the trap is dismantled.

### IMPORTANT:

The trap should be installed as close as possible to the line to be drained.

For new pipelines, ensure that the lines are properly flushed, prior to fitting the traps, to avoid strainer choke-up.

**MATERIAL:**

NO.	PART	MATERIAL	QTY. (Nos.)
1.	BODY	ASTM A217 Gr. WC6	01
2.	COVER	ASTM A217 Gr. WC6	01
3.	STRAINER CAP	ASTM A217 Gr. WC6	01
4.	DISC SEAT	ASTM A681 Gr. D2	01
5.	DISC	ASTM A681 Gr. D2	01
6.	STRAINER SCREEN	AISI 304 (Ø0.8 PERF)	01
7.	GASKET	SPIRAL WOUND SS 304 WITH GRAFOIL FILLER	02
8.	GASKET		01
9.	TUBE	AISI 304	01
10.	LOCATOR	AISI 304	01
11.	BOLT	ASTM A193 Gr. B16	04

\*WCB on request

**DIMENSIONS:** Nominal in inches

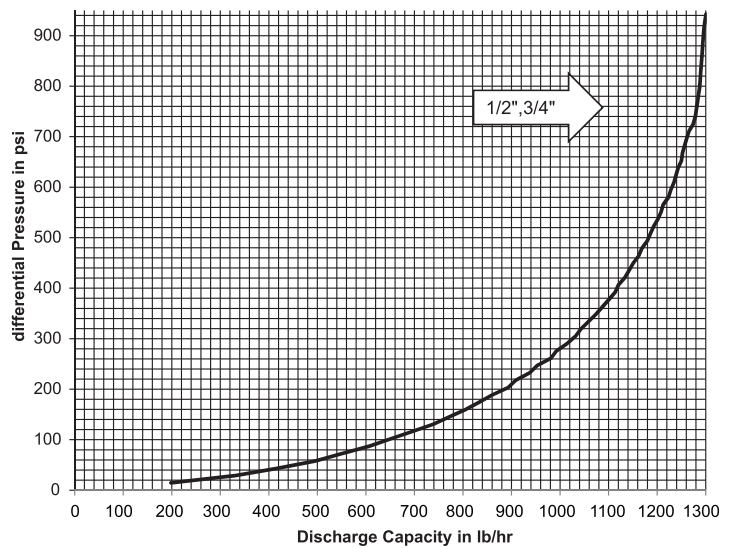
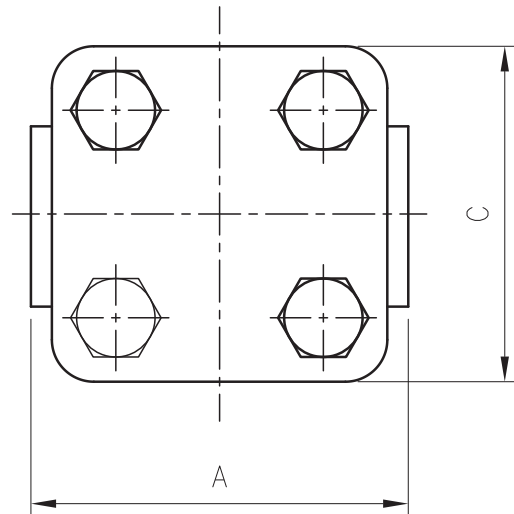
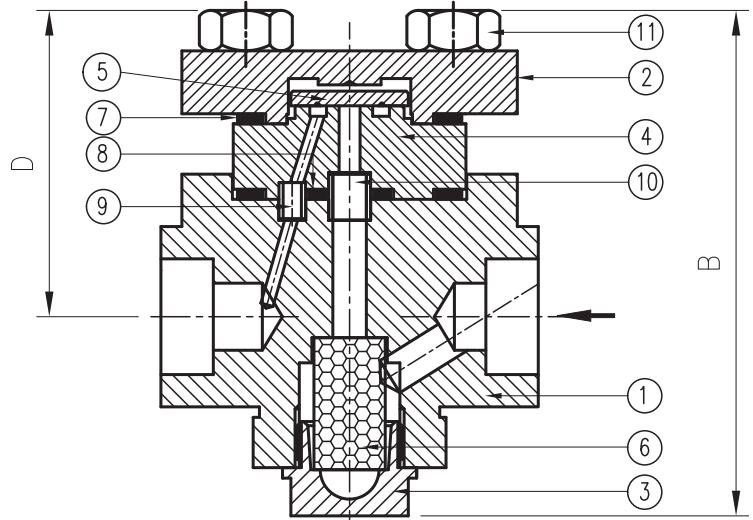
END CONNS.	SIZE	A	B	C	D	Wt.
Socket Weld	DN15, 20	3.54	4.72	3.15	2.88	5.5 lbs

**AVAILABLE SPARES:**

Disc, Gasket, Strainer Screen

**ORDERING INFORMATION:**

Refer 'How to Order' page



Local regulations may restrict the use of this product below the conditions quoted. Limiting conditions refer to standard connections only. In the interest of development and improvement of the product, we reserve the right to change the specifications without prior notice.