

# PD61

## LIQUID DRAIN TRAPS



### DESCRIPTION:

PD61 float traps are designed to drain moisture/liquids from compressed air/gas systems.

**FEATURES:** Modulating discharge.

**USE:** Compressed air and non-corrosive gas compatible with the construction.

**SIZES:** DN15, 20, 25

**CONNECTIONS:** Screwed (NPT/BSPT/BSP)

### LIMITING CONDITIONS:

PMA: Max. allowable pressure	16 bar(g)
TMA: Max. allowable temperature	220 °C
PMO: Max. operating pressure	14 bar
TMO: Max. operating temperature	220 °C
Cold hydro test pressure	24 bar(g)

Max. differential pressure range:

PD61 - 4.5 : 4.5 bar  
 PD61 - 10 : 10 bar  
 PD61 - 14 : 14 bar

### INSTALLATION:

Standard horizontal installation with flow from right to left PD61.

### UPON REQUEST:

- Horizontal installation with flow from left to right PD61 (L-R)
- Vertical installation with flow from top to bottom PD61 (V).

The trap should be installed below the drain point of the equipment in a position so that the float arm is in a horizontal plane and the float rises and falls vertically, with the flow direction as indicated on the body. The arrow on the nameplate should be pointing vertically upwards. It is recommended that an equalizer line be fitted as shown in the installation manual for this product.

### CAUTION:

DO NOT USE FOR HAZARDOUS/POISONOUS MEDIA

### DISCHARGE CAPACITY IN kg/hr (COLD WATER)

Model	Size	DIFFERENTIAL PRESSURE (bar)																
		0.5	1.0	1.5	2.0	3.0	4.0	4.5	5.0	6.0	7.0	8.0	9.0	10.0	11.0	12.0	13.0	14.0
PD61-4.5	DN15,20	259	364	416	454	520	591	645	----	----	----	----	----	----	----	----	----	----
PD61-4.5	DN25	688	899	968	1135	1299	1419	1583	----	----	----	----	----	----	----	----	----	----
PD61-10	DN15,20	175	196	230	246	300	350	366	375	391	454	504	520	545	----	----	----	----
PD61-10	DN25	280	400	475	534	650	734	770	820	874	920	979	1020	1065	----	----	----	----
PD61-14	DN15,20	165	180	196	216	250	285	300	331	350	386	425	454	490	525	449	591	625
PD61-14	DN25	155	205	230	284	359	391	409	430	470	495	520	559	584	600	616	634	659

**MATERIAL:**

NO.	PART	MATERIAL	QTY. (Nos.)
1.	BODY	CAST IRON	1
2.	COVER	IS : 210 FG200	1
3.	GASKET (COVER)	Non CAF	1
4.	VALVE SEAT	AISI 410/ AISI 420	1
5.	VALVE		1
6.	LEVER	AISI 304	1
7.	FLOAT	AISI 304	1
8.	PLUG	AISI 304	1
9.	BOLT	HIGH TENSILE	4
10.	DRAIN PLUG	C.S	1
11.	GASKET DRAIN PLUG	COPPER	1
12.	GASKET PLUG	COPPER	1
13.	GASKET VALVE SEAT	COPPER	1
14.	BRACKET ASSLY.	AISI 304	1

\*Only for DN25 size (Not shown in view)

**DIMENSIONS:** Nominal in mm

SIZE	A	B	C	D	Wt.
DN15,20	130	146	59	110	3.3 kg
DN25	145	162	66	110	4.3 kg

**AVAILABLE SPARES:**

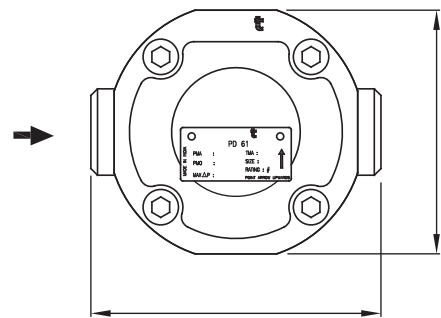
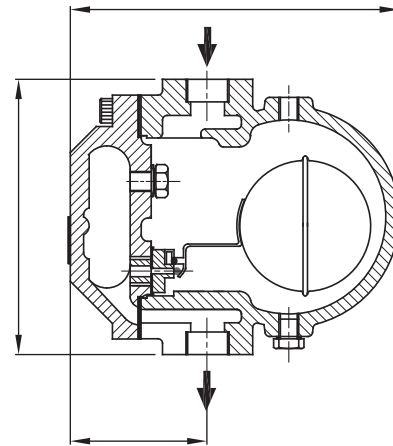
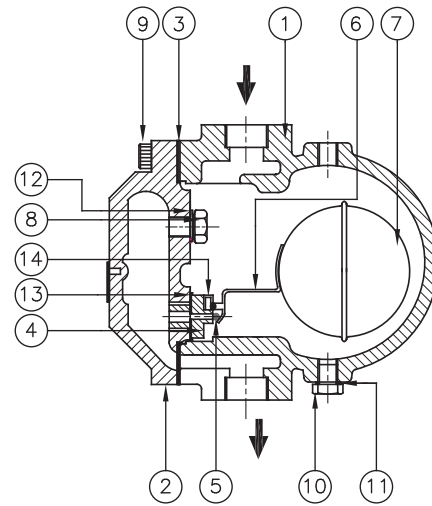
Valve Seat, Ball Float & Lever Assly., Gaskets.

**HOW TO ORDER:**

PD61-4.5 DN15 BSP

**ORDERING INFORMATION:**

- 1) Inlet Pressure in bar(g)
- 2) Back Pressure in bar(g)
- 3) Operating Temperature in °C
- 4) Moisture Load in kg/hr
- 5) Size & Model
- 6) End Connections



Local regulations may restrict the use of this product below the conditions quoted. Limiting conditions refer to standard connections only. In the interest of development and improvement of the product, we reserve the right to change the specifications without prior notice.