

PSCV

SWING CHECK VALVE

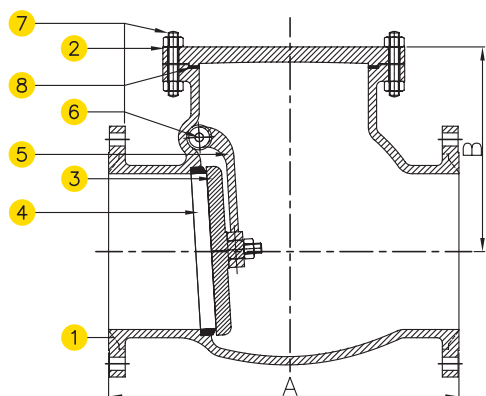
DESCRIPTION:

Pennant Swing Check Valves are provided with a properly guided swing disc on a hinge. Pennant Swing Check Valves are available with metal-to-metal sealing for high temperatures and pressures, and soft sealing for

pneumatic and vacuum applications designed to ensure full flow, efficient function and minimum pressure drop across the valve.

STANDARD:

DESIGN STANDARD	BS 1868/API 6D/API 602/ ASME B16.34
INSPECTION AND TESTING STANDARD	BS 6755/API 6D/API 598
FACE TO FACE	AS PER ANSI B16.10/MANUFACTURING STANDARD
END CONNECTIONS	FLANGED ENDS - ANSI B16.5 BUTTWELD ENDS - ANSI B16.25
SIZE RANGE	DN25 TO DN300
PRESSURE RATING	#150, #300



MATERIAL

NO.	PART NAME	MATERIAL	QTY.
1.	BODY	ASTM A216 Gr. WCB	1
2.	COVER	ASTM A216 Gr. WCB	1
3.	DISC	AISI 410 (13% Cr. STEEL) - MIN. 250 BHN	1
4.	SEAT RING	AISI 410 (13% Cr. STEEL) - MIN. 300 BHN	1
5.	LEVER	ASTM A216 Gr. WCB	1
6.	HINGE PIN	AISI 410(13% Cr. STEEL)	1
7.	STUD/ NUT	ASTM A193 Gr. B7/ ASTM A194 Gr. - 2H	*
8.	GASKET	SS SPIRAL WOUND WITH GRAFOIL	1
*	VARIES WITH SIZE		

DIMENSION TABLE:

Size	#150		APPROX. WT.	#300		APPROX. WT.
	A	B		A	B	
25	127	105	6.5	216	108	8
40	165	118	8.5	241	114	10
50	203	130	18	267	122	22
65	216	133	27	292	139	32
80	241	150	32	318	161	38
100	292	159	41	356	196	50
125	330	197	58	400	250	69
150	356	208	74	444	253	88
200	495	319	117	533	300	140
250	622	309	179	622	370	214
300	698	396	345	711	400	410