

# PLCV

## LIFT CHECK VALVE

### DESCRIPTION:

Pennant Lift Check Valves are provided with simple and easy to operate/ maintain design which is ideal for pump outlet and where reversal flow is not desired. Pennant Lift Check Valves are available with metal to metal sealing for high temperature and pressure.

### STANDARDS:

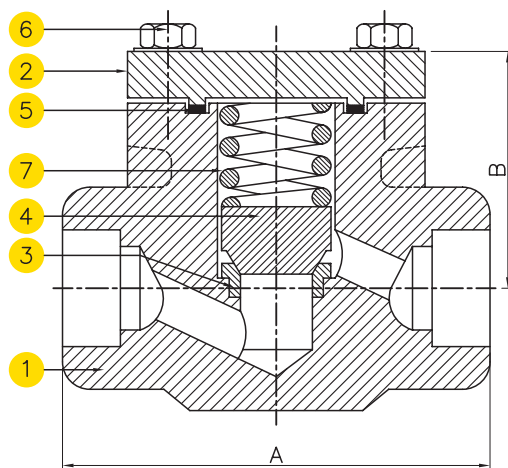
Design Standard	API – 602, BS5352, ASME B16.34
Inspection & Testing Standard	API- 598
Face to Face	Manufacturer Standard
End Connection	Socket Weld Ends – ASME B16.11
	Screwed Ends – ASME B1.20.1
	Buttweld Ends – ASME B16.25
Size Range	DN15 to DN50
Pressure Rating	#800, #1500

### MATERIAL

NO.	PART NAME	MATERIAL	QTY.
1.	BODY	ASTM A105	1
2.	COVER	ASTM A105	1
3.	SEAT RING	AISI 410 (13% CR. STEEL) – MIN. 300 BHN	1
4.	PLUG/ DISC	AISI 410 (13% CR. STEEL) – MIN. 250 BHN	1
5.	GASKET	S. S. SPIRAL WOUND WITH GRAFOIL	1
6.	BOLT	ASTM A193 GR. B7	4
7.	SPRING	AISI 302	1

### DIMENSION TABLE:

SIZE	A	B	APPROX. WT.
15	85	123	1.5
20	89	136	1.8
25	105	144	2.5
40	140	182	6.2
50	163	204	9.2



### FEATURES:

1. Forged body with separate forged cover which is bolted to body
2. Socket Weld End/ Screwed End/ Buttweld End are available
3. Renewable seat ring

### HOW TO ORDER:

1. Type of valve  
(Gate/Globe/Swing Check/Lift Check Valve)
2. Operating pressure
3. Operating temperature
4. Size
5. End connection
6. Fluid service

\* Special material on request