

PGLV

GLOBE VALVE



DESCRIPTION:

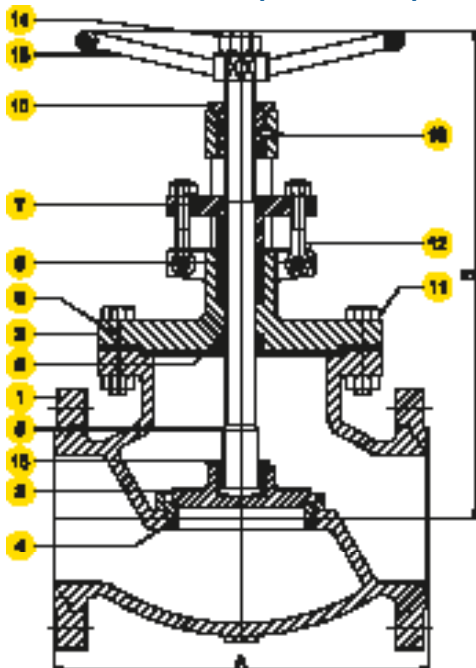
Pennant Globe Valves have a threaded replaceable seat and a full flow area that ensures smooth flow and minimum pressure drop across the valve. Weld deposited seats and high temperature packing materials are provided for superheated steam and high temperature oil and fluids

to ensure trouble free service and longer life. A properly machined and lapped back seat facilitates replacing the gland packing when the valve is in full stream.

STANDARD:

DESIGN STANDARD	BS 1873/ ASME B16.34
INSPECTION AND TESTING STANDARD	BS 6755/API 598
FACE TO FACE	AS PER ANSI B16.10/MANUFACTURING STANDARD
END CONNECTIONS`	FLANGED ENDS - ANSI B16.5 BUTTWELD ENDS - ANSI B16.25 SOCKETWELD ENDS - ANSI B16.11 SCREWED ENDS - ASME B1.20.1
SIZE RANGE	DN15 TO DN300
PRESSURE RATING	#150, #300, #800 & #1500
OPERATION	HAND WHEEL/GEAR/PNEUMATIC/ELECTRICAL ACTUATOR OPERATED
TRIM CONFIGURATION	STANDARD - API 600 No. 1 OPTIONAL - No. 2,4,5,8,10

CAST GLOBE VALVES (#150 & #300)



MATERIAL

NO.	PART NAME	MATERIAL	QTY.
1.	BODY	ASTM A216 Gr. WCB	1
2.	BONNET	ASTM A216 Gr. WCB & 13% Cr. Deposited - min 250 BHN	1
3.	PLUG	AISI 410 (13% Cr. STEEL) & 13% Cr. Deposited - min 300 BHN	1
4.	SEAT RING	AISI 410 (13% Cr. STEEL)	1
5.	STEM	AISI 410 (13% Cr. STEEL)	1
6.	BACK SEAT BUSH	AISI 410 (13% Cr. STEEL)	1
7.	GLAND FLANGE	ASTM A216 Gr. WCB	1
8.	GLAND PACKING	GRAFOIL - TOP & BOTTOM BRAIDED RINGS & MIDDLE MOULDED RING	1
9.	GASKET	GRAPHITED ASBESTOS	1
10.	YOKE SLEEVE	CARBON STEEL/ D2	1
11.	BONNET STUD/NUT	ASTM A193 Gr. B7/ASTM A194 Gr. 2H	*
12.	EYE BOLT & NUT	ASTM A193 Gr. B7/ASTM A194 Gr. 2H	2/2
13.	HAND WHEEL	S. G. IRON/CAST IRON	1
14.	HAND WHEEL NUT	M. S.	1
15.	PLUGNUT	AISI 410 (13% Cr. STEEL)	1
16.	GRUB SCREW	CARBON STEEL	1
*		VARIES WITH SIZE	

DIMENSION TABLE:

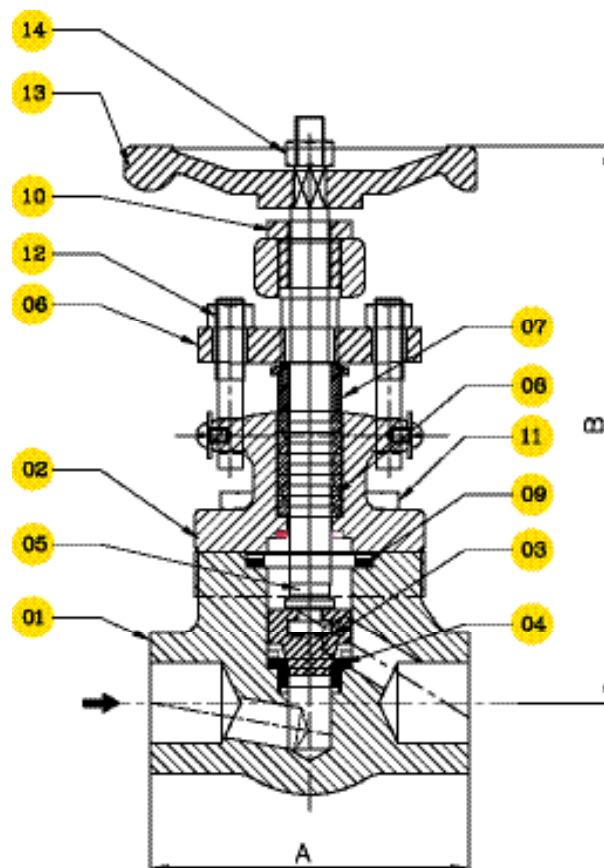
Size	#150			#300		
	A	B	APPROX. WT.	A	B	APPROX. WT.
25	127	163	7	203	173	9
40	165	196.5	12	229	272	18
50	203	253	20	267	272	25
65	216	240	21	292	363	30
80	241	303	32	318	335	38
100	292	329	50	356	364	62
125	356	322	67	400	304	80
150	406	420	85	444	386	95
200	495	502	178	559	539	213
250	622	558	250	622	590	300
300	698	621.5	350	711	677	400

FORGED GLOBE VALVES (#800 & #1500)

MATERIAL:

NO.	PART NAME	MATERIAL	QTY.
1.	BODY	ASTM A105	1
2.	BONNET	ASTM A105	1
3.	PLUG	AISI 410 (13% Cr. STEEL) - min 250 BHN	1
4.	SEAT	AISI 410 (13% Cr. STEEL) - min 300 BHN	1
5.	STEM	AISI 410 (13% Cr. STEEL)	1
6.	GLAND FLANGE	ASTM A105	1
7.	GLAND FOLLOWER	AISI 410	1
8.	GLAND PACKING	GRAFOIL MOULDED	*
9.	GASKET	SWG GRAPHITE WITH AISI 304 REINFORCED	1
10.	YOKE SLEEVE	CARBON STEEL/D2	1
11.	BOLT	ASTM A193 GR. B7	4
12.	EYE BOLT & NUT	CS	2
13.	HAND WHEEL	S.G. IRON/ CAST IRON	1
14.	HAND WHEEL NUT	M. S.	1

* Varies with Size



DIMENSION TABLE:

SIZE	A	B	APPROX. WT.
15	85	123	1.9
20	89	136	2.3
25	105	144	3.2
40	140	182	8.2
50	163	204	11.8

FEATURES OF GLOBE VALVES

- Outside screw & yoke construction
- Flanged Ends/Butt Weld Ends/Socket Weld Ends/ Screwed Ends are available
- Valve provided with back seating arrangement
- Renewable/ integral hardfaced seat ring
- Optional gear, electric or pneumatic actuator available