

PVB10

VACUUM BREAKER



DESCRIPTION:

Vacuum breaker in complete stainless steel construction. It is best suited on steam inlets to heat exchangers, jacketed kettles, liquid process lines, chilled water lines, boiler feed water lines and air coils, to admit air whenever vacuum condition is developed in the system.

FEATURES:

Works like a check valve and allows air to enter the steam or liquid system, however, steam or liquid escape is shut off. PVB10 is designed to allow air into condensing steam or liquid systems where creation of a vacuum would inhibit liquid drainage and decrease system performance and efficiency.

SIZES: System connection: DN15

Air inlet connection: DN8, 10, 15

CONNECTIONS: Screwed (NPT/BSPT/BSP)

LIMITING CONDITIONS:

PMA: Max. allowable pressure	21 bar(g)
TMA: Max. allowable temp.	450 °C
Minimum vacuum required for opening	0.005 bar(g) (50 mm of H ₂ O)
Cold hydro test pressure	32 bar(g)

INSTALLATION:

The vacuum breaker should be installed in a vertical position with the cap at top and should be placed at the highest point in the system. An isolation valve should be fitted prior to vacuum breaker to facilitate servicing.

MAINTENANCE:

After the vacuum breaker is isolated from the system, unscrew the top cap & examine for any wear/tear & debris on ball or seat and valve which could cause breakage of system pressure. Clean and refit. With the exception of possible cleaning, this device is maintenance-free. Vacuum breakers are not repairable on-line.

AVAILABLE SPARES:

No spares available.

HOW TO ORDER:

PVB-10 DN15 DN8 BSP

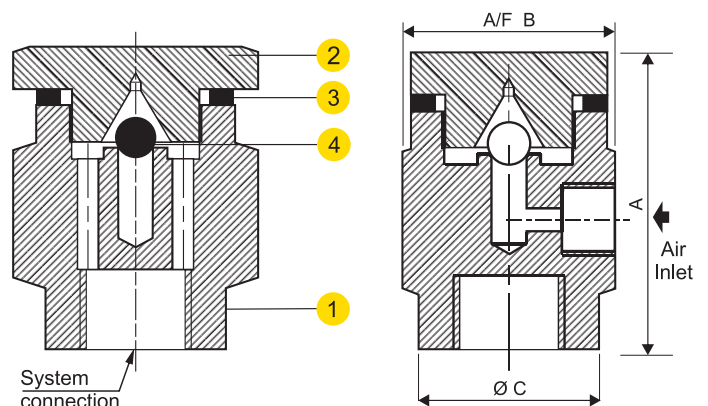
MATERIAL:

No.	PART	MATERIAL	QTY. (Nos.)
1.	BODY	AISI 304	1
2.	CAP	AISI 304	1
3.	GASKET	COPPER	1
4.	BALL	AISI 304	1

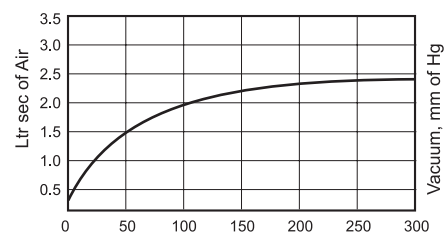
DIMENSIONS:

 Nominal in mm

SIZE	A	B	C	Wt.
DN15 x DN8	55	37	32	0.375 kg
DN15 x DN10	60	37	32	0.400 kg
DN15 x DN15	70	49	32	0.550 kg



AIR HANDLING CAPACITIES



ORDERING INFORMATION:

- 1) Inlet Pressure in bar(g)
- 2) Size & Model
- 3) End Connections

Local regulations may restrict the use of this product below the conditions quoted. Limiting conditions refer to standard connections only. In the interest of development and improvement of the product, we reserve the right to change the specifications without prior notice.