

# PT66

## FLOAT & THERMOSTATIC STEAM TRAPS DN40, DN50



### DESCRIPTION:

High capacity float and thermostatic (internal air vent) steam traps are designed for draining condensate from all types of low and medium pressure steam heating and process equipment. Typical applications include unit heaters, heat exchangers, driers and jacketed vessels. Horizontal installation.

### AVAILABLE TYPES:

PT 66 - with thermostatic air vent  
PT 66S - SLR (with steam lock release)  
PT 66C - with thermostatic air vent and SLR

### FEATURES:

Modulating discharge.  
Discharges condensate at steam temperature.  
Excellent air venting (by thermostatic air vent).

**USE:** Saturated and superheated steam

**SIZES:** DN40, 50

**CONNECTIONS:** Screwed (NPT/BSPT/BSP)  
Flanged/Socket Weld

**Non IBR/IBR approved**

### TRAP DISCHARGE CAPACITY IN kg/hr

MODEL	Double Valve	Differential Pressure (bar)	0.04	0.14	0.35	0.7	1	1.4	2.8	4.5
PT66-4.5			Discharge Capacity	3150	5220	6045	6390	7400	8025	11550
MODEL	Rotary	Differential Pressure (bar)	1	2	4	6	8	10	12	14
PT66-14			Discharge Capacity	4660	6590	9320	11410	13180	14730	16140

### LIMITING CONDITIONS:

PMA: Max. allowable pressure	16 bar(g)
TMA: Max. allowable temperature	220 °C
PMO: Max. operating pressure	14 bar(g)
TMO: Max. operating temperature	220 °C
Body shell design rating	20 bar(g) 425° C
Cold hydro test pressure	24 bar(g)

### INSTALLATION:

Horizontal installation with flow from left to right. The trap should be installed horizontally below the drain point of the equipment in a position such that the float arm is in a horizontal plane and the float rises and falls vertically, with the flow direction as indicated on the cover. The arrow on the nameplate should be pointing vertically upwards.

Max. differential pressure range:

PT66-4.5 : 4.5 bar  
PT66-14 : 14 bar

**MATERIAL:**

NO.	PART	MATERIAL	QTY. (Nos.)
1.	BODY	ASTM A216 Gr. WCB	01
2.	COVER	ASTM A216 Gr. WCB	01
3.	GASKET	Non CAF	01
4.	VALVE SEAT	ASTM A743 Gr.CA40/	02
5.	VALVE PIN	AISI 410/420	02
6.	BALL FLOAT	AISI 304	01
7.	LEVER	AISI 304	01
8.	AIR VENT	STAINLESS STEEL	01
9.	BOLT	ASTM A193 Gr. B7	06
10.	DRAIN PLUG	CARBON STEEL	01
11.	STEM	AISI 304/AISI 410	01
12.	SLR UNIT	AISI 304	01

**WEIGHT:**

Screwed/SW	Flanged
31 kg	35 kg

**AVAILABLE SPARES:**

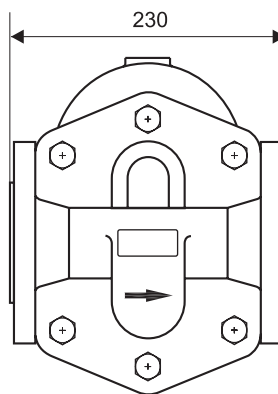
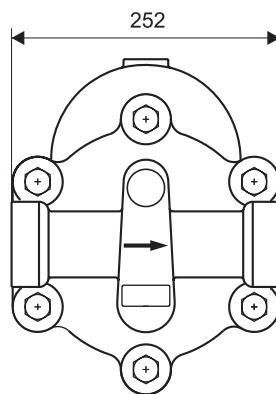
The Housing Assly., Air Vent Assly., Gaskets

**HOW TO ORDER:**

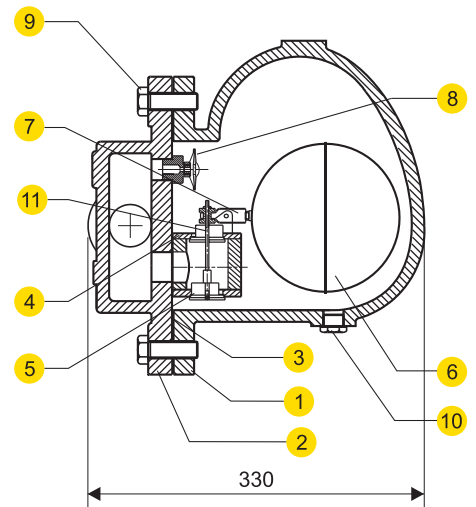
PT66-4.5 DN40 BSP

**ORDERING INFORMATION:**

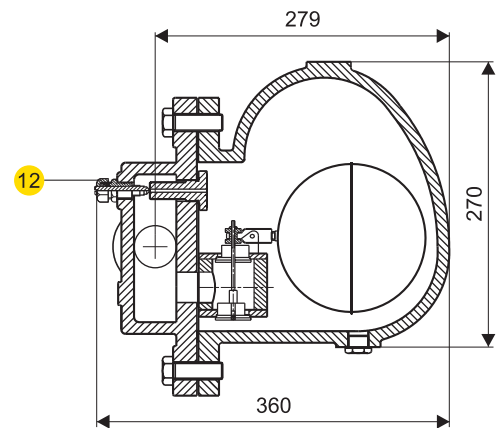
- 1) Inlet Pressure in bar(g)
- 2) Back Pressure in bar(g)
- 3) Operating Temperature in °C
- 4) Condensate Load in kg/hr
- 5) Size & Model
- 6) End Connections



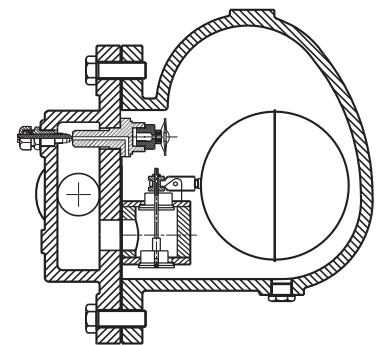
**PT66 - Double Valve**



**PT66S - Double Valve**



**PT66C - Double Valve**



DIMENSIONS - Nominal in mm

**MATERIAL:**

NO.	PART	MATERIAL	QTY. (Nos.)
1.	BODY	ASTM A216 Gr. WCB	01
2.	COVER	ASTM A216 Gr. WCB	01
3.	COVER GASKET	Non CAF	01
4.	VALVE SEAT HOUSING	AISI 304	01
5.	VALVE PIN		01
6.	STEM	AISI 304	01
7.	FLOAT ASSLY.	AISI 304	01
8.	AIR VENT	AISI 304	01
9.	BOLT	ASTM A193 Gr. B7	06
10.	DRAIN PLUG	CARBON STEEL	01
11.	SLR UNIT	AISI 304	01

**WEIGHT:**

Screwed/SW	Flanged
31 kg	35 kg

**AVAILABLE SPARES:**

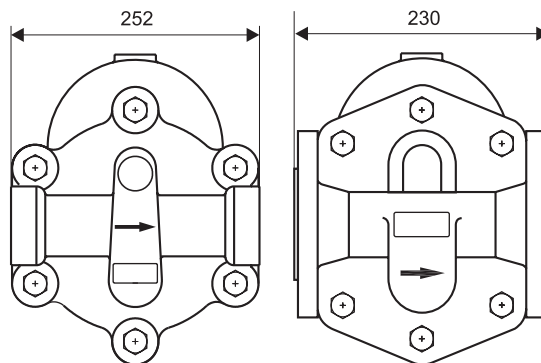
The Housing Assly., Air Vent Assly. Gaskets.

**HOW TO ORDER:**

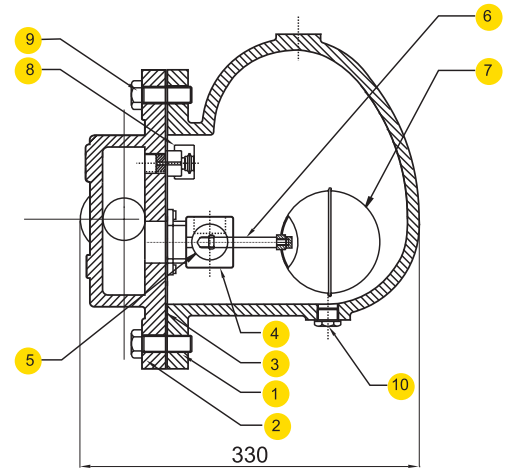
PT66-14 DN40 BSP

**ORDERING INFORMATION:**

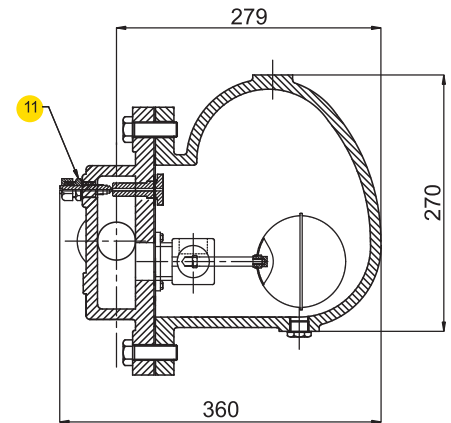
- 1) Inlet Pressure in bar(g)
- 2) Back Pressure in bar(g)
- 3) Operating Temperature in °C
- 4) Condensate Load in kg/hr
- 5) Size & Model
- 6) End Connections



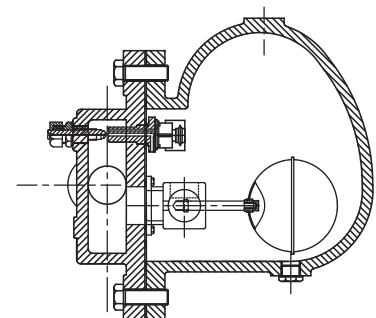
**PT66 - Rotary**



**PT66S - Rotary**



**PT66C - Rotary**



DIMENSIONS - Nominal in mm

Local regulations may restrict the use of this product below the conditions quoted. Limiting conditions refer to standard connections only. In the interest of development and improvement of the product, we reserve the right to change the specifications without prior notice.