

PT65

FLOAT & THERMOSTATIC STEAM TRAPS DN25 (CAST IRON)



DESCRIPTION:

Cast iron float and thermostatic (internal air vent) steam traps are designed for draining condensate from all types of low and medium pressure steam heating and process equipment. Typical applications include unit heaters, heat exchangers, driers and jacketed vessels. Horizontal installation.

AVAILABLE TYPES:

PT 65 - with thermostatic air vent
PT 65S - SLR (with steam lock release)
PT 65C - with thermostatic air vent and SLR.

FEATURES:

Modulating discharge.
Discharges condensate at steam temperature.
Excellent air venting (by thermostatic air vent).

USE: Saturated and superheated steam

SIZES: DN25

CONNECTIONS: Screwed (NPT, BSPT, BSP)

LIMITING CONDITIONS:

| | |
|---------------------------------|-----------|
| PMA: Max. allowable pressure | 16 bar(g) |
| TMA: Max. allowable temperature | 220 °C |
| PMO: Max.. operating pressure | 14 bar(g) |
| TMO: Max. operating temperature | 220 °C |
| Cold hydro test pressure | 24 bar(g) |

INSTALLATION:

Horizontal installation with flow from left to right The trap should be installed horizontally below the drain point of the equipment in a position such that the float arm is in a horizontal plane and the float rises and falls vertically, with the flow direction as indicated on the cover.

The word 'TOP' on the nameplate indicates the top side of the trap.

Max. differential pressure range:

PT65-4.5 : 4.5 bar
PT65-10 : 10 bar
PT65-14 : 14 bar

TRAP DISCHARGE CAPACITY IN kg/hr

| MODEL | SIZE | DIFFERENTIAL PRESSURE (bar) | | | | | | | | | | | | | | | | |
|----------|------|-----------------------------|-----|------|------|------|------|------|------|------|------|------|------|------|------|------|------|------|
| | | 0.5 | 1.0 | 1.5 | 2.0 | 3.0 | 4.0 | 4.5 | 5.0 | 6.0 | 7.0 | 8.0 | 9.0 | 10.0 | 11.0 | 12.0 | 13.0 | 14.0 |
| PT65-4.5 | DN25 | 840 | 945 | 1049 | 1155 | 1358 | 1569 | 1673 | --- | --- | --- | --- | --- | --- | --- | --- | --- | --- |
| PT65-10 | DN25 | 604 | 654 | 710 | 760 | 870 | 974 | 1024 | 1079 | 1185 | 1290 | 1394 | 1499 | 1603 | --- | --- | --- | --- |
| PT65-14 | DN25 | 425 | 454 | 480 | 510 | 565 | 620 | 645 | 675 | 730 | 785 | 839 | 895 | 949 | 1004 | 1064 | 1120 | 1174 |

Recommended safety factor: steady condition 1.5 - 2; fluctuating condition 2-3

MATERIAL:

| NO. | PART | MATERIAL | QTY. (Nos.) |
|-----|--------------------------|-----------------|-------------|
| 1. | BODY | CAST IRON | 01 |
| 2. | COVER | CAST IRON | 01 |
| 3. | GASKET | Non CAF | 01 |
| 4. | VALVE SEAT | AISI 410/420 | 01 |
| 5. | BALL FLOAT & LEVER ASSY. | AISI 304 | 01 |
| 6. | AIR VENT | STAINLESS STEEL | 01 |
| 7. | BOLT | HIGH TENSILE | 04 |
| 8. | DRAIN PLUG | CARBON STEEL | 01 |
| 9. | BRACKET ASSY. | AISI 304 | 01 |
| 10. | GASKET | COPPER | 01 |
| 11. | SLR UNIT | AISI 304 | 01 |

DIMENSIONS: Nominal in mm

| SIZE | A | B | C | D | E | F |
|------|-----|-----|-----|-----|-----|-----|
| DN25 | 120 | 188 | 170 | 105 | 215 | 7kg |

AVAILABLE SPARES:

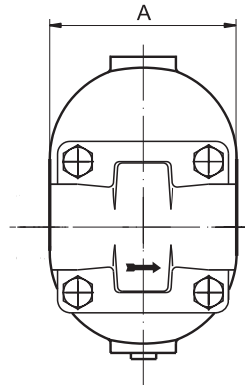
Valve Seat, Ball Float & Lever Assly.,
Air Vent Assly., Gaskets

HOW TO ORDER:

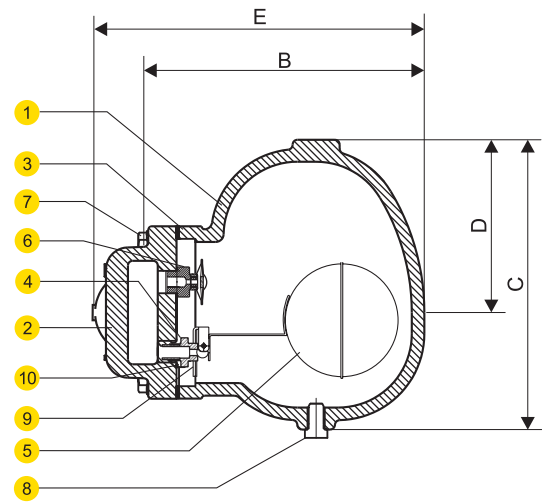
PT65-4.5 DN25 BSP

ORDERING INFORMATION:

- 1) Inlet Pressure in bar(g)
- 2) Back Pressure in bar(g)
- 3) Operating Temperature in °C
- 4) Condensate Load in kg/hr
- 5) Size & Model
- 6) End Connections

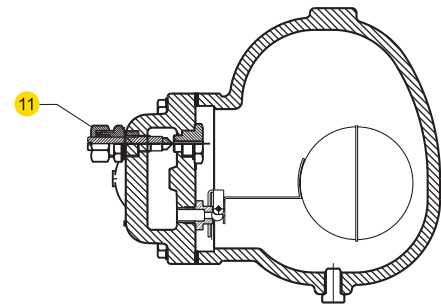


PT65



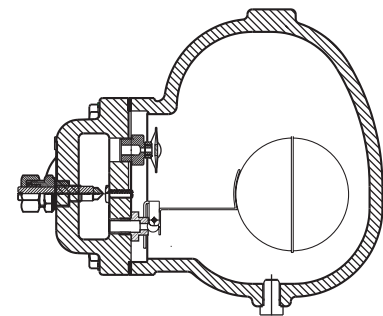
PT65S

STEAM LOCK
RELEASE (SLR)



PT65C

THERMOSTATIC
AIR VENT + SLR



PT65

FLOAT & THERMOSTATIC STEAM TRAPS DN40, DN50 (CAST IRON)



DESCRIPTION:

Cast iron float and thermostatic (internal air vent) steam traps are designed for draining condensate from all types of low and medium pressure steam heating and process equipment. Typical applications include unit heaters, heat exchangers, driers and jacketed vessels. Horizontal installation.

AVAILABLE TYPES:

PT 65 - with thermostatic air vent
PT 65S - SLR (with steam lock release)
PT 65C - with thermostatic air vent and SLR

FEATURES:

Modulating discharge.
Discharges condensate at steam temperature.
Excellent air venting (by thermostatic air vent).

USE: Saturated and superheated steam

SIZES: DN40, 50

CONNECTIONS: Screwed (NPT/BSPT/BSP)

LIMITING CONDITIONS:

| | |
|---------------------------------|-----------|
| PMA: Max. allowable pressure | 16 bar(g) |
| TMA: Max. allowable temperature | 220 °C |
| PMO: Max. operating pressure | 14 bar(g) |
| TMO: Max. operating temperature | 220 °C |
| Cold hydro test pressure | 24 bar(g) |

INSTALLATION:

Horizontal installation with flow from left to right. The trap should be installed horizontally below the drain point of the equipment in a position such that the float arm is in a horizontal plane and the float rises and falls vertically, with the flow direction as indicated on the cover. The arrow on the nameplate should be pointing vertically upwards.

Max. differential pressure range:

PT65-4.5 : 4.5 bar

PT65-10 : 10 bar

PT65-14 : 14 bar

TRAP DISCHARGE CAPACITY IN kg/hr

| MODEL | SIZE | DIFFERENTIAL PRESSURE (bar) | | | | | | | | | | | | | | | | |
|----------|---------|-----------------------------|------|------|------|------|------|------|-------|-------|-------|-------|-------|-------|-------|-------|-------|-------|
| | | 0.5 | 1 | 1.5 | 2 | 3 | 4 | 4.5 | 5 | 6 | 7 | 8 | 9 | 10 | 11 | 12 | 13 | 14 |
| PT65-4.5 | DN40,50 | 3022 | 3272 | 3521 | 3787 | 4295 | 4795 | 5056 | ----- | ----- | ----- | ----- | ----- | ----- | ----- | ----- | ----- | ----- |
| PT65-10 | DN40,50 | 2234 | 2684 | 2847 | 2920 | 3097 | 3337 | 3417 | 3526 | 3700 | 4030 | 4404 | 4790 | 5119 | ----- | | | |
| PT65-14 | DN40,50 | 1944 | 2268 | 2538 | 2777 | 2972 | 3097 | 3176 | 3251 | 3367 | 3620 | 3887 | 4125 | 4366 | 4586 | 4795 | 4994 | 5190 |

*Recommended safety factor: steady condition 1.5-2; fluctuating condition 2-3'

MATERIAL:

| NO. | PART | MATERIAL | QTY. (Nos.) |
|-----|-------------------------|--------------|-------------|
| 1. | BODY | CAST IRON | 01 |
| 2. | COVER | CAST IRON | 01 |
| 3. | GASKET | Non CAF | 01 |
| 4. | VALVE SEAT | AISI 410/420 | 01 |
| 5. | BALL FLOAT & Lever ASSY | AISI 304 | 01 |
| 6. | AIR VENT | AISI304 | 01 |
| 7. | BOLT | HIGH TENSILE | 06 |
| 8. | DRAIN PLUG | CARBON STEEL | 01 |
| 9. | BRACKET ASSY. | AISI 304 | 01 |
| 10. | SLR UNIT | AISI 304 | 01 |

WEIGHTS: 29 kg

AVAILABLE SPARES:

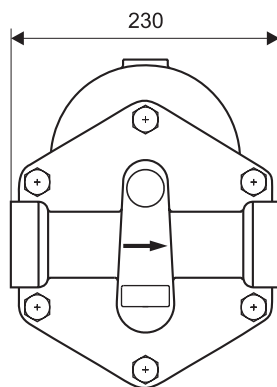
Valve Seat, Ball Float & Lever Assly.,
Air Vent Assly., Gaskets

HOW TO ORDER:

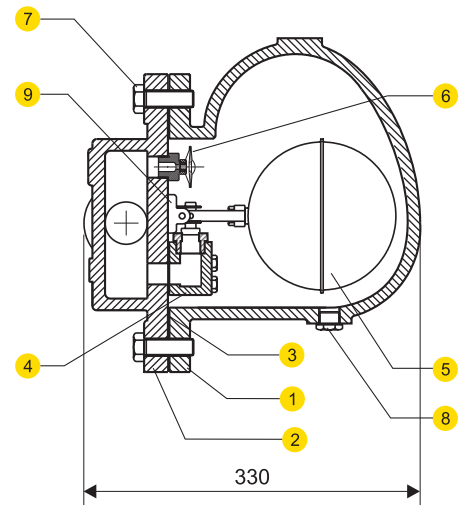
PT65-4.5 DN40 BSP

ORDERING INFORMATION:

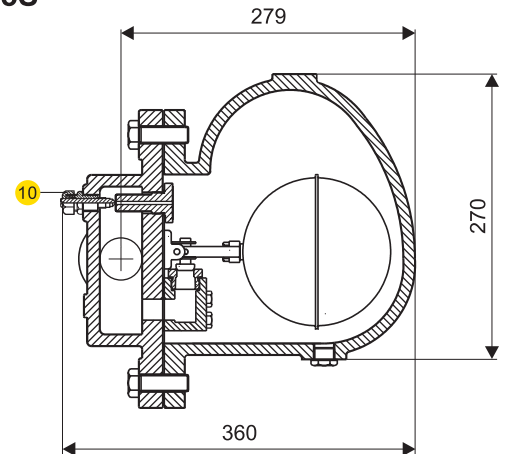
- 1) Inlet Pressure in bar(g)
- 2) Back Pressure in bar(g)
- 3) Operating Temperature in °C
- 4) Condensate Load in kg/hr
- 5) Size & Model
- 6) End Connections



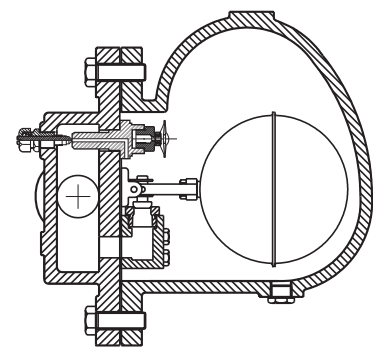
PT65



PT65S



PT65C



DIMENSIONS - Nominal in mm

Local regulations may restrict the use of this product below the conditions quoted. Limiting conditions refer to standard connections only. In the interest of development and improvement of the product, we reserve the right to change the specifications without prior notice.