

# PT64H

## FLOAT & THERMOSTATIC STEAM TRAPS



### DESCRIPTION:

PT64H float and thermostatic (internal air vent) steam traps are designed for draining condensate from building heating installations and other low pressure and high condensation applications.

### FEATURES:

Modulating discharge of hot condensate at close to saturation temperature. Good air venting facilitates a fast start-up. Suitable for high condensate load.

**USE:** Saturated and superheated steam.

**SIZES:** DN50

**CONNECTIONS:** Screwed (NPT/BSPT/BSP)

### LIMITING CONDITIONS:

PMA: Max. allowable pressure	16 bar(g)
TMA: Max. allowable temperature	220 °C
PMO: Max. operating pressure	3.5 bar(g)
TMO: Max. operating temperature	220 °C
Cold hydro test pressure	24 bar(g)

### INSTALLATION:

It is important to install the trap with the label on the top and the connecting pipes horizontal. Inlet and outlet connections are marked on the housing. For effective condensate removal, the trap should be fitted below the drain point of the system being drained.

**WEIGHT** (approx.) : 13.2 kg

### TRAP DISCHARGE CAPACITY IN kg/hr

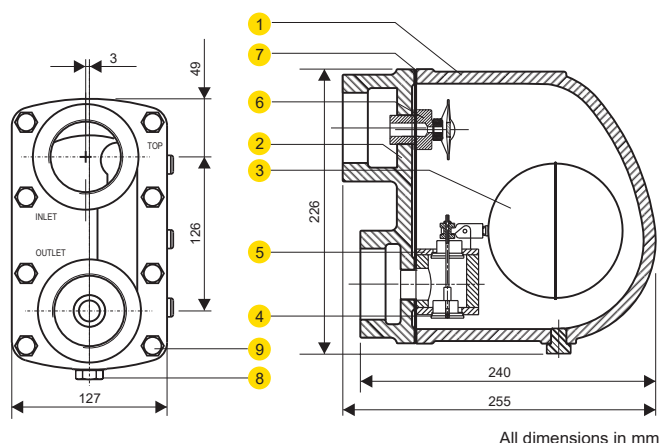
MODEL	Size	DIFFERENTIAL PRESSURE (bar)										
		0.02	0.04	0.07	0.14	0.35	0.70	1.00	1.40	2.10	2.80	3.50
PT64H-3.5	DN50	1815	2495	3180	4315	4995	5810	6265	7265	7855	8355	9350

### MATERIAL:

No.	PART	MATERIAL	QTY. Nos.
1.	BODY	CAST IRON	01
2.	COVER	CAST IRON	01
3.	BALL FLOAT & LEVER ASSY.	AISI 304	01
4.	VALVE	AISI 410/420	02
5.	VALVE SEAT		02
6.	AIR VENT	STAINLESS STEEL	01
7.	GASKET	Non CAF	01
8.	DRAIN PLUG	CARBON STEEL	01
9.	BOLT	HIGH TENSILE	08

### AVAILABLE SPARES:

Valve Seat, Ball Float & Lever Assly., Air Vent Assly., Gaskets



All dimensions in mm

### HOW TO ORDER:

PT64H-3.5 DN50 BSP

### ORDERING INFORMATION:

- 1) Inlet Pressure in bar(g)
- 2) Back Pressure in bar(g)
- 3) Operating Temperature in °C
- 4) Condensate Load in kg/hr
- 5) Size & Model
- 6) End Connections

All Dimensions are in mm. weights in kg.