

PT63

FLOAT & THERMOSTATIC STEAM TRAPS



DESCRIPTION:

PT63 float and thermostatic (internal air vent) steam traps are designed for draining condensate from building heating installations. They can also be used in low pressure industrial installations.

FEATURES:

The "H" pattern offers users multiple fitment options. Modulating discharge of hot condensate at close to saturation temperature. Good air venting facilitates a fast start-up.

USE:

Saturated and superheated steam

SIZES: DN20, 25, 32, 40, 50

CONNECTIONS: Screwed (NPT/BSPT/BSP)

LIMITING CONDITIONS:

PMA: Max. allowable pressure	16 bar(g)
TMA: Max. allowable temperature	220 °C
PMO: Max. operating pressure	8.5 bar(g)
TMO: Max. operating temperature	220 °C
Cold hydro test pressure	24 bar(g)

INSTALLATION:

It is important to install the trap with the arrow on the label pointing straight up so that the connecting pipes are horizontal.

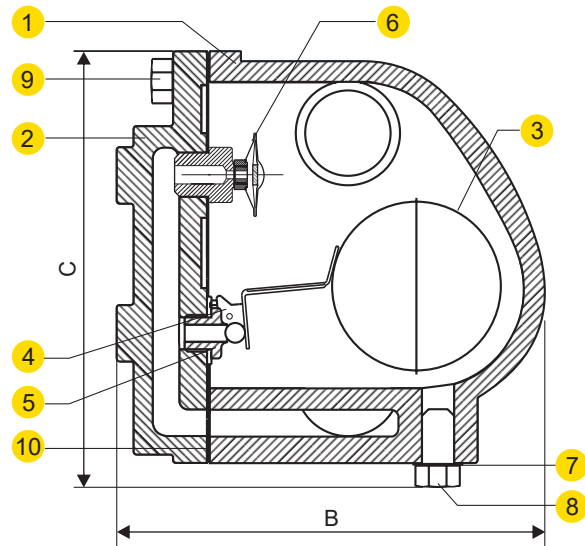
Inlet and outlet connections are marked on the housing. Select connections suitable to the piping installation and plug the others. For effective condensate removal, the trap should be fitted below the drain point of the system being drained.

TRAP DISCHARGE CAPACITY IN KG/HR

MODEL	Size	DIFFERENTIAL PRESSURE (bar)																
		0.02	0.04	0.07	0.14	0.35	0.70	1.00	1.40	1.75	2.10	2.80	3.50	4.20	5.25	6.35	7.00	8.50
PT63-1.0	DN20, 25	175	225	305	410	490	660	750	---	---	---	---	---	---	---	---	---	---
PT63-1.0	DN32	195	260	350	465	855	1265	1365	---	---	---	---	---	---	---	---	---	---
PT63-1.0	DN40, 50	1035	1260	1650	2100	3135	4115	4945	---	---	---	---	---	---	---	---	---	---
PT63-2.0	DN20, 25	120	150	210	285	410	475	560	645	700	750	---	---	---	---	---	---	---
PT63-2.0	DN32	175	225	305	410	490	660	750	840	1065	1225	---	---	---	---	---	---	---
PT63-2.0	DN40, 50	590	810	1160	1545	2355	3100	3545	3885	4215	4540	---	---	---	---	---	---	---
PT63-5.0	DN20, 25	110	135	190	230	285	330	375	410	445	465	540	610	670	745	---	---	---
PT63-5.0	DN32	135	170	230	310	460	595	660	710	735	760	885	1000	1040	1135	---	---	---
PT63-5.0	DN40, 50	245	325	440	590	870	1210	1385	1545	1680	1820	1995	2160	2310	2465	---	---	---
PT63-8.5	DN20, 25	105	130	160	175	205	225	245	275	295	325	385	460	500	580	635	685	745
PT63-8.5	DN32	120	150	210	285	410	475	560	645	700	750	865	960	990	1085	1120	1215	1285
PT63-8.5	DN40, 50	175	230	305	400	595	775	940	1050	1145	1230	1380	1465	1595	1725	1805	1910	2035

MATERIAL:

No.	PART	MATERIAL	QTY.
1.	BODY	CAST IRON	01
2.	COVER	CAST IRON	01
3.	BALL FLOAT & LEVER ASSY.	AISI 304	01
4.	BRACKET	AISI 304	01
5.	VALVE SEAT	AISI 410 / 420	01
6.	AIR VENT	STAINLESS STEEL	01
7.	GASKET	COPPER	01
8.	DRAIN PLUG	CARBON STEEL	01
9.	BOLT	HIGH TENSILE	06
10.	GASKET	Non CAF	01



DIMENSIONS: Nominal in mm

SIZE	A	B	C	D	E
DN 20, 25, 32	146	152	152	86	29
DN40, 50	190	205	210	100	65

WEIGHTS: (approx.)

Size	SCR / SW
DN20, 25	5.5 kg
DN32	6 kg
DN40, 50	11 kg

AVAILABLE SPARES:

Valve Seat, Ball Float & Lever Assly.,
Air Vent Assly., Gaskets

HOW TO ORDER:

PT63-2.0 DN40 BSP

ORDERING INFORMATION:

- 1) Inlet Pressure in bar(g)
- 2) Back Pressure in bar(g)
- 3) Operating Temperature in °C
- 4) Condensate Load in kg/hr
- 5) Size & Model
- 6) End Connections

