

PT61

FLOAT & THERMOSTATIC STEAM TRAPS - DN15, 20, 25



DESCRIPTION:

PT61 float and thermostatic (internal air vent) steam traps are designed for draining condensate from all types of low and medium pressure steam heating and process equipment. Typical applications include unit heaters, heat exchangers, driers and jacketed vessels.

AVAILABLE TYPES:

- PT61 - with Thermostatic Air Vent
- PT61S - with Steam Lock Release (SLR)
- PT61C - with Thermostatic Air Vent & SLR

FEATURES:

Modulating discharge.
Discharges condensate at steam temperature. Excellent air venting (by thermostatic air vent).

USE: Saturated and superheated steam

LIMITING CONDITIONS:

PMA: Max. allowable pressure	16 bar(g)
TMA: Max. allowable temperature	220 °C
PMO: Max. operating pressure	14 bar(g)
TMO: Max. operating temperature	220 °C
Cold hydro test pressure	24 bar(g)

SIZES: DN15, 20, 25

CONNECTIONS: Screwed (NPT/BSPT/BSP)

INSTALLATION:

Standard horizontal installation with flow from right to left PT61.

UPON REQUEST:

- Horizontal installation with flow from left to right PT61 (L-R)
- Vertical installation with flow from top to bottom PT61(V)

Max. differential pressure range:

PT61-4.5 : 4.5 bar

PT61-10 : 10 bar

PT61-14 : 14 bar

The trap should be installed below the drain point of the equipment in a position so that the float arm is in a horizontal plane and the float rises and falls vertically, with the flow direction as indicated on the body. The arrow on the nameplate should be pointing vertically upwards.

TRAP DISCHARGE CAPACITY IN kg/hr

MODEL	SIZE	DIFFERENTIAL PRESSURE (bar)																
		0.5	1	1.5	2	3	4	4.5	5	6	7	8	9	10	11	12	13	14
PT61-4.5	DN15,20	200	280	320	350	400	454	495	---	---	---	---	---	---	---	---	---	---
PT61-4.5	DN25	530	700	750	879	1019	1099	1229	---	---	---	---	---	---	---	---	---	---
PT61-10	DN15,20	135	150	165	180	210	241	255	280	300	350	391	405	420	---	---	---	---
PT61-10	DN25	230	320	370	420	510	570	600	640	680	710	760	800	820	---	---	---	---
PT61-14	DN15,20	125	140	150	165	190	221	230	246	271	296	325	350	375	404	430	454	482
PT61-14	DN25	130	160	180	220	260	300	320	330	360	380	400	430	450	460	475	490	510

Recommended safety Factor : Steady condition : 1.5 - 2.0, Fluctuating condition : 2.0 - 3.0

MATERIAL:

NO.	PART	MATERIAL	QTY. (Nos.)
1.	BODY	CAST IRON	1
2.	COVER	IS : 200 FG200	1
3.	GASKET (COVER)	Non CAF	1
4.	VALVE SEAT	AISI 410/ AISI 420	1
5.	VALVE		1
6.	LEVER	AISI 304	1
7.	FLOAT	AISI 304	1
8.	AIR VENT ASSLY.	AISI 304	1
9.	BOLT	HIGH TENSILE	4
10.	DRAIN PLUG	C.S	1
11.	GASKET DRAIN PLUG	COPPER	1
12.	GASKET AIR VENT	COPPER	1
13.	GASKET VALVE SEAT	COPPER	1
14.	BRACKET ASSLY.	AISI 304	1

*Only for 1" size (Not shown in view)

DIMENSIONS: Nominal in mm

SIZE	A	B	C	D	Wt.
DN15, 20	130	146	59	110	3.3 kg
DN25	145	162	66	110	4.3 kg

AVAILABLE SPARES:

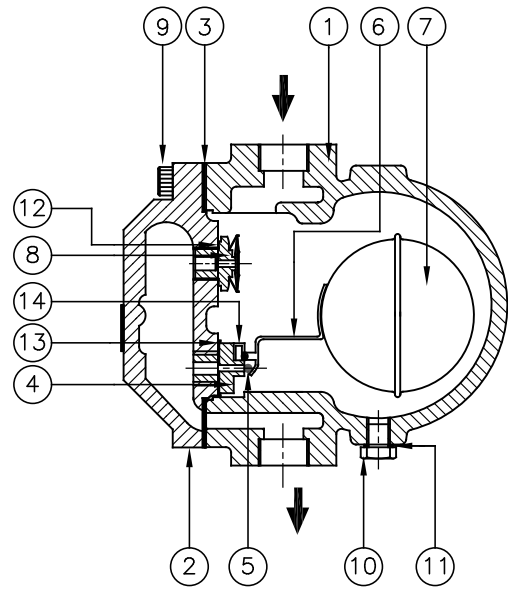
Valve Seat, Ball Float & Lever Assly.,
Air Vent Assly., Gaskets.

HOW TO ORDER:

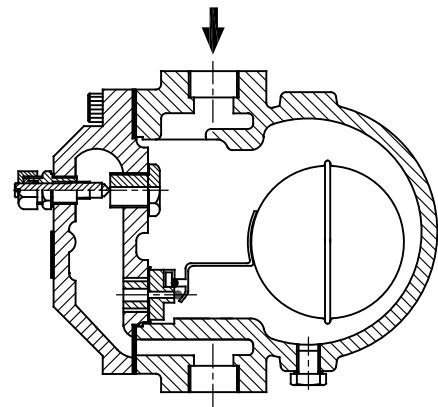
PT61-4.5 DN20 BSP

ORDERING INFORMATION:

- 1) Inlet Pressure in bar(g)
- 2) Back Pressure in bar(g)
- 3) Operating Temperature in °C
- 4) Condensate Load in kg/hr
- 5) Size & Model
- 6) Horizontal/Vertical
- 7) End Connections
- 8) Flow Direction
- 9) Type required with SLR with thermostatic Air Vent and SLR

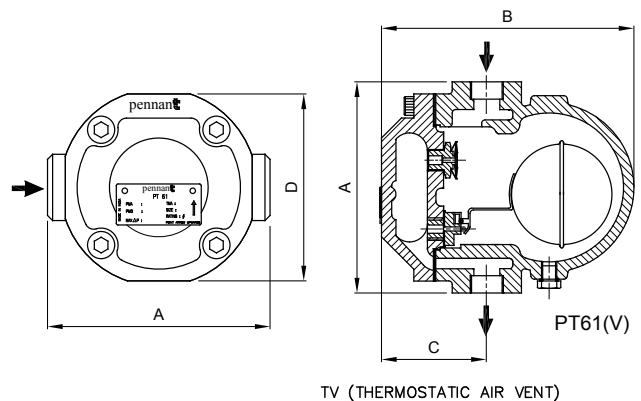


PT61(V)



PT61S(V)

SLR (STEAM LOCK RELEASE)



TV (THERMOSTATIC AIR VENT)

Local regulations may restrict the use of this product below the conditions quoted. Limiting conditions refer to standard connections only. In the interest of development and improvement of the product, we reserve the right to change the specifications without prior notice.

All Dimensions are in mm. weights in kg.