

PT32

THERMOSTATIC STEAM TRAPS FOR CLEAN STEAM APPLICATIONS



DESCRIPTION:

Thermostatic steam trap best suited for use in Clean steam systems. All wetted parts of this trap are manufactured using materials as per FDA guidelines.

FEATURES:

- Full stainless steel 316L construction
- Condensate draining close to steam temperature ensures minimum condensate back-up
- Highly polished for better cleaning and improved corrosion resistance. Surface finish Ra 0.4~0.8µm
- Compact and light weight
- Easy to install
- Easy to dismantle and clean

APPLICATIONS:

- Sterilizers
- Autoclaves
- CIP/SIP systems
- Block and bleed systems
- Air venting of equipments
- Sterilization of equipments

SIZES: DN15, 20

CONNECTIONS: Triclamp ends

LIMITING CONDITIONS :

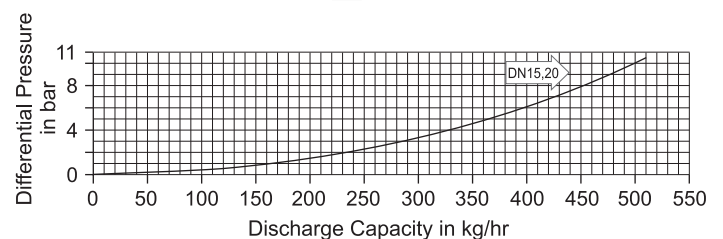
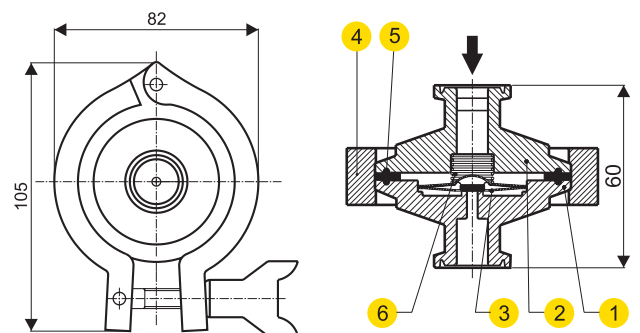
PMA: Max. allowable press.	10.5 bar(g)
TMA: Max. allowable temp.	177 °C
PMO: Max. operating press.	7.0 bar(g)
TMA: Max. operating temp.	Saturation temperature

INSTALLATION:

The trap is designed to be fitted vertically with inlet from the top, facilitating complete drainage. Ensure that the installation is done as per the flow direction marked on the body. Do not expose the trap to superheated conditions. Do not de-pressurize the trap before it cools. This may damage the capsule

MATERIAL:

NO.	PART	MATERIAL	QTY. (Nos.)
1.	BODY	AISI 316L	1
2.	COVER	AISI 316L	1
3.	CAPSULE	AISI 316L	1
4.	CLAMP	AISI 304	1
5.	GASKET	PTFE	1
6.	SPRING	AISI 316L	1



HOW TO ORDER:

PT32 DN15 Triclamp ends

ORDERING INFORMATION:

- 1) Inlet Pressure in bar(g)
- 2) Back Pressure in bar(g)
- 3) Operating Temperature in °C
- 4) Condensate Load in kg/hr
- 5) Size & Model