

# PT31AV

## BALANCED PRESSURE THERMOSTATIC AIR VENT



### DESCRIPTION:

The PT31AV air vent is designed to remove air and noncondensable gases from steam systems. The removal of these gases is important for achieving better start-up efficiency and heat transfer in normal running.

**SIZES:** DN 8, 10, 15, 20

**CONNECTIONS:** Screwed (NPT, BSPT, BSP)  
Socket weld

### MATERIAL:

NO.	PART	MATERIAL	QTY. (Nos.)
1.	BODY	AISI 304*	01
2.	COVER	AISI 304*	01
3.	COVER GASKET	NON-CAF	01
4.	STRAINER SCREEN	AISI 304	01
5.	CONTROLLER ASSY.	AISI 304	01
6.	GASKET	COPPER	01

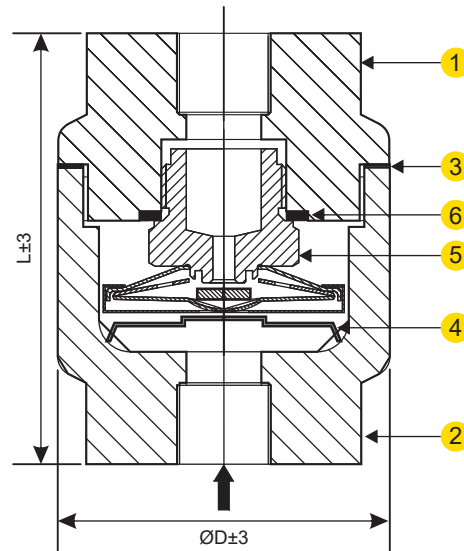
\*ASTM-A182 GR-F304 on special request.

**DIMENSIONS:** Nominal in mm

SIZE	Ø D	L	Wt.
DN8, 10, 15, 20	55	70	0.8 kg

### LIMITING CONDITIONS:

PMA: Max. allowable pressure	22 bar(g)
TMA: Max. allowable temp.	220 °C
PMO: Max. operating pressure	22 bar(g)
TMO: Max. operating temp.	220 °C
Cold hydro test pressure	33 bar(g)



### INSTALLATION:

Preferably vertical with inlet from below.

### AVAILABLE SPARES:

Controller, Strainer Screen, Gasket.

### HOW TO ORDER:

PT31AV DN15 BSP

### ORDERING INFORMATION:

- 1) Inlet Pressure in bar (g)
- 2) Back Pressure in bar (g)
- 3) Operating Temperature in °C