

PT31

BALANCED PRESSURE THERMOSTATIC STEAM TRAPS



DESCRIPTION:

The PT31 is a balanced pressure, diaphragm controlled steam trap for draining instrument tracing lines and other similar applications. This steam trap is designed to remove condensate at temperatures below the saturation temperature of steam. Subcooling available: 12°C - Standard, 6 °C & 24 °C - Optional

SIZES: DN 8,10, 15, 20

CONNECTIONS: Screwed (NPT, BSPT, BSP)
Socket Weld

MATERIAL:

NO.	PART	MATERIAL	QTY. (Nos.)
1.	BODY	AISI 304*	01
2.	COVER	AISI 304*	01
3.	COVER GASKET	NON-CAF	01
4.	STRAINER SCREEN	AISI 304	01
5.	CONTROLLER ASSY.	AISI 304	01
5.	GASKET	COPPER	01

*ASTM-A182 GR-F304 on special request.

DIMENSIONS: Nominal in mm

SIZE	Ø D	L	Wt.
DN8, 10, 15, 20	55	70	0.8 kg

LIMITING CONDITIONS:

PMA: Max. allowable pressure	22 bar(g)
TMA: Max. allowable temp.	220 °C
PMO: Max. operating pressure	22 bar(g)
TMO: Max. operating temp.	220 °C
Cold hydro test pressure	33 bar(g)

INSTALLATION:

Preferably vertical with inlet from above.

AVAILABLE SPARES:

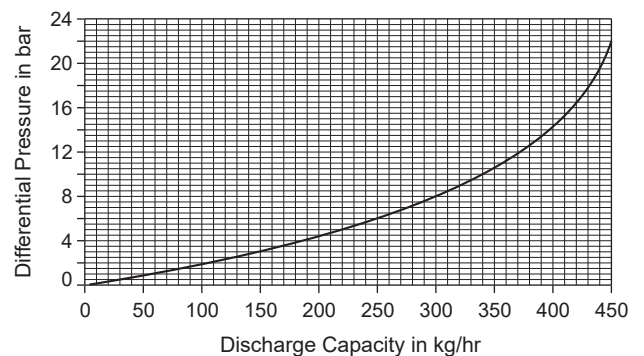
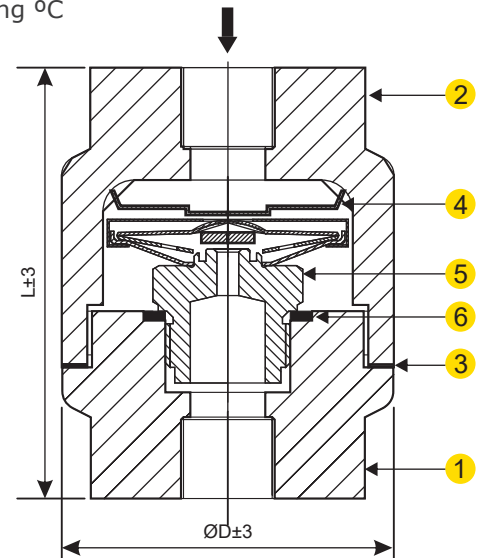
Controller, Strainer Screen, Gasket.

HOW TO ORDER:

PT31 DN15 BSP

ORDERING INFORMATION:

- 1) Inlet Pressure in bar(g)
- 2) Back Pressure in bar(g)
- 3) Operating Temperature in °C
- 4) Condensate Load in kg/hr
- 5) Size & Model
- 6) End Connections
- 7) Sub cooling °C



Local regulations may restrict the use of this product below the conditions quoted. Limiting conditions refer to standard connections only. In the interest of development and improvement of the product, we reserve the right to change the specifications without prior notice.

All Dimensions are in mm. weights in kg.

PT33

BALANCED PRESSURE THERMOSTATIC STEAM TRAP



DESCRIPTION:

The PT33 is a balanced pressure thermostatic steam trap with "Y" type internal strainer. It is a perfect NO- LOSS steam trap that offers condensate sub-cooling to maximise thermal efficiency.

The highly responsive, corrosion and water-hammer resistant controller gives excellent deaeration and drainage. Maximum thermal efficiency is automatically maintained under varying conditions.

APPLICATIONS:

For drainage and deaeration of steam lines and all kinds of heat exchangers, (including those for superheated steam), auxiliary heating systems, sterilization systems, hot water heat exchangers, tracing and many other steam applications.

SIZES: DN15, 20, 25

SUB COOLING:

12 °C - Standard,
6 °C & 24 °C - Optional

CONNECTIONS:

Screwed (NPT/BSPT/BSP)
Socket weld/Flanged.*

*End connection flanges of ASTM A105 forged carbon steel are welded on.

Non IBR/IBR approved

LIMITING CONDITIONS:

PMA: Max. allowable pressure	22 bar(g)
TMA: Max. allowable temperature	220 °C
PMO: Max. operating pressure	22 bar (g)
TMO: Max. operating temperature	220 °C
Cold hydro test pressure	33 bar(g)

OPTIONAL:

Back-flow preventer: Stops reverse flow of the condensate when the plant is shut down.

INSTALLATION:

1. Prior to installation, clean the lines by blowing through at full steam pressure to remove dirt. This should be strictly followed when the lines are new.
2. For steam trapping applications the trap should be fitted below the equipment to be drained and as close to the drain point as possible, preferably in a horizontal position with the cover on top.
3. For air venting applications, the trap should be fitted at the highest point of the piping system or equipment where the air / incondensable gases collect.

MAINTENANCE:

This product can be maintained inline without disturbing the piping connections, provided isolation valves are fitted before and after the trap. Ensure that the trap is isolated - upstream and downstream - before attempting to dismantle it.

IMPORTANT:

Do not de-pressurise the trap before it cools. Sudden loss of pressure in a trap which is hot causes permanent damage to the controller.

MATERIAL:

NO.	PART	MATERIAL	QTY (Nos.)
1.	BODY	ASTM A105	01
2.	COVER	ASTM A105	01
3.	STRAINER CAP	ASTM A743 Gr. CA40	01
4.	STRAINER SCREEN	AISI 304 (0.8 PERF.)	01
5.	VALVE SEAT	AISI 304	01
6.	THERMOSTATIC BELLOW	STAINLESS STEEL	01

DIMENSIONS: Nominal in mm

SIZE	A	B	C	D	
				#150	#300
DN15	85	125	53	162	170
DN20	85	125	53	165	175
DN25	102	140	53	188	200

WEIGHTS: (approx.)

SIZE	SCR/SW	FLANGED	
		#150	#300
DN15	1.7 kg	3.0 kg	3.3 kg
DN20	1.7 kg	3.4 kg	4.2 kg
DN25	2.6 kg	4.96 kg	6.16 kg

AVAILABLE SPARES:

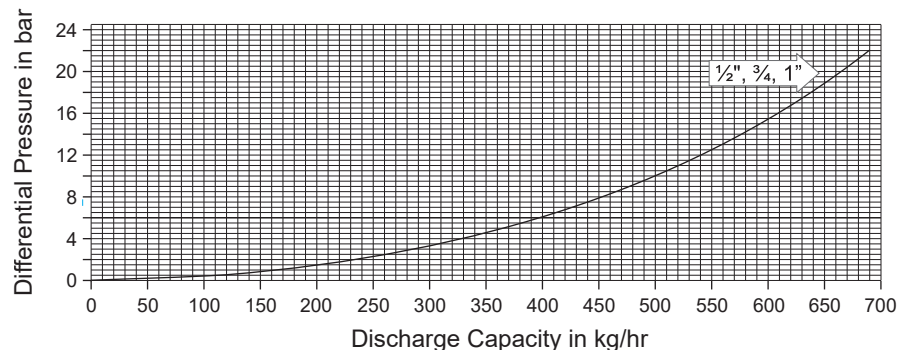
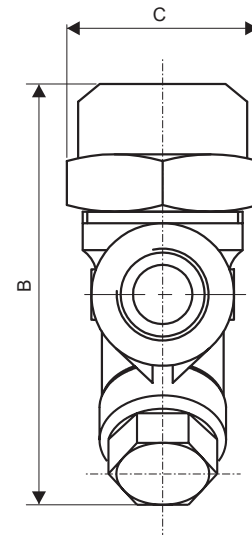
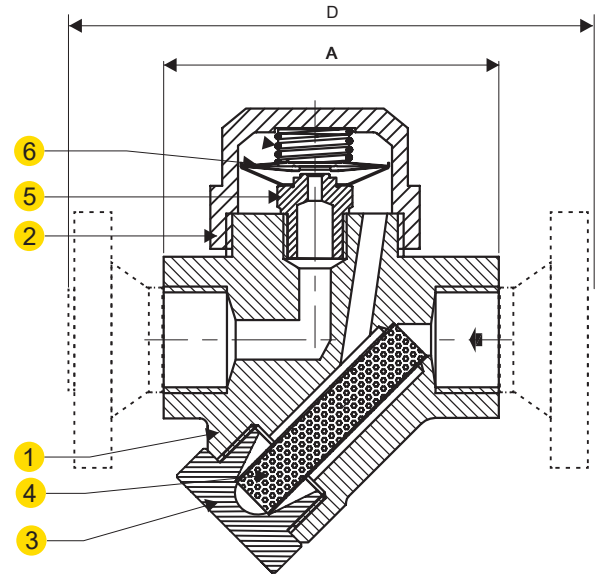
Controller & Valve Seat Assly., Gaskets, Strainer Screen

HOW TO ORDER:

PT33 DN15 BSP NIBR

ORDERING INFORMATION:

- 1) Inlet pressure bar(g)
- 2) Back pressure bar(g)
- 3) Operating temperature °C
- 4) Condensate load kg/hr
- 5) Size & Model
- 6) End Connections
- 7) Sub cooling °C
- 8) IBR/NIBR



Local regulations may restrict the use of this product below the conditions quoted. Limiting conditions refer to standard connections only. In the interest of development and improvement of the product, we reserve the right to change the specifications without prior notice.

All Dimensions are in mm. weights in kg.