

PS11

Y-TYPE STRAINER DN65 - DN200



DESCRIPTION:

Cast Y strainers with bolted screen retainers, and integrally cast flanges for steam, water, and process fluids. All strainers have a large flow area around the screen, to reduce pressure drop, and the screens have a flow area of 3 times.

SCREEN:

40 mesh (standard)
20, 60 and 100 mesh on request

FEATURES:

- i) Designed to remove solid particles
- ii) Reduce levels of contamination

SIZES: DN 65, 80, 100, 150, 200

Note:

- 1. Higher Sizes on request
- 2. Also available with IBR certificate on request

LIMITING CONDITIONS:

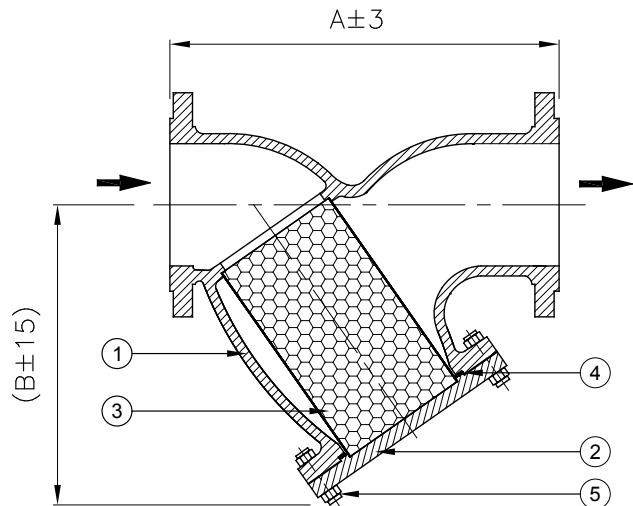
FLANGE CLASS	DESIGN CONDITION	HYDRO TEST PRESSURE
#150	19.6 bar @ RT, 5.5 bar @ 425° C	29.5 bar(g)
#300	51.1 bar @ RT, 28.8 bar @ 425° C	77 bar(g)

INSTALLATION:

Maintenance can be completed with the strainer in the pipeline.

Suitable isolation valves must be installed to allow for safe maintenance & trap replacement.

Periodically the strainer screen should be thoroughly cleaned for better performance and life. With isolated strainer dismantle the bolted joint and remove strainer screen to remove muck and clean the screen thoroughly. Fit the screen carefully and fit cover with new gasket. Tighten nuts uniformly.



MATERIAL:

NO.	PART	MATERIAL	QTY.
1.	Body	ASTM A216 WCB*	01
2.	Cover	ASTM A216 WCB*	01
3.	Strainer Screen	AISI 304 (40 MESH)I	01
4.	Gasket	Spiral Wound SS 304 WITH GRAPHITE FILLER	**
5.	Stud/Nut	ASTM A193 Gr. B7/2H	**

* CF8, CF8M ON REQUEST

** VARIES WITH SIZE

DIMENSIONS: (approx.) in mm

#150			
DN	A	B	WEIGHT
	mm	mm	Kg.
65	290	250	33.5
80	310	276	38
100	350	322	54.5
150	480	368	90.5
200	600	505	141

#300			
DN	A	B	WEIGHT
	mm	mm	Kg.
65	318	250	40
80	345	295	46
100	385	322	70.5
150	493	445	133.5
200	622	525	210

AVAILABLE SPARES:

Screen, Gasket

HOW TO ORDER:

1 No. DN100 Pennant cast strainer,
(Model Name) class 150 IBR

Local regulations may restrict the use of this product below the conditions quoted. Limiting conditions refer to standard connections only. In the interest of development and improvement of the product, we reserve the right to change the specifications without prior notice.

All Dimensions are in mm. weights in kg.