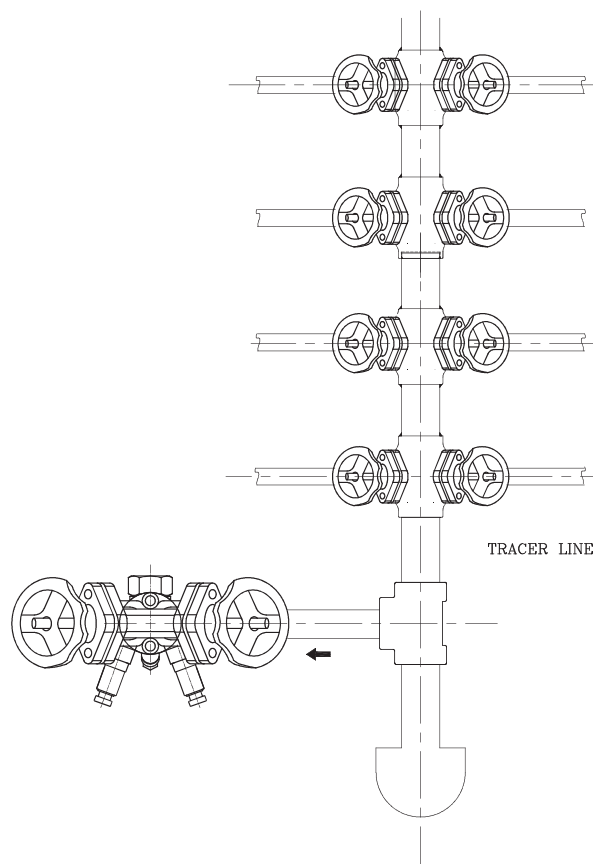


# PMF10

## MANIFOLDS

### DESCRIPTION:

Pennant Manifolds facilitate effective condensate collection/steam distribution, with flexible configuration, and neat easy-to-maintain construction.



Properly sized and located condensate collection manifolds and steam distribution manifolds can lead to more efficient collection and return of condensate in a plant and increase the competence and consistency of steam trap maintenance and repair programs.

Plant maintenance is made easy by two simple features -

1. Organised piping of reduced length & with less connections/fittings
2. Easy access to steam traps & valves

These manifolds provide both these benefits in addition to cost saving and other advantages over conventional piping. Built to last, Pennant's manifolds are made from forged carbon steel, with all stainless steel internals. The valves are all leak proof piston valves with seals designed for long life. All working parts are replaceable which means you never have to replace the manifold - just replace the few working parts as-and-when needed.

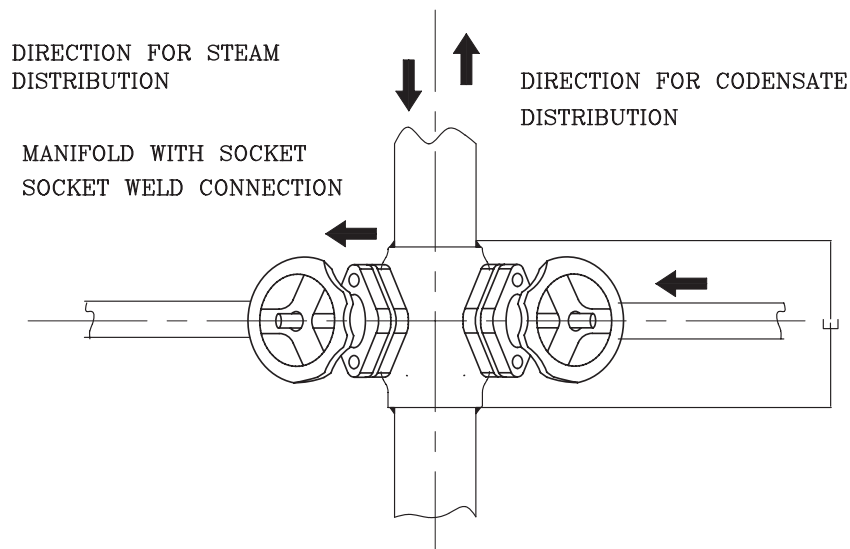
## STEAM MANIFOLDS

### BENEFITS:

- Steam manifolds facilitate better, compact, easy-to-approach & easy-to-maintain piping for steam tracing and similar applications where multiple steam connections are required at the same location
- Proper sizing ensures full steam flow to each connection
- The manifolds are fitted with a steam trap to remove condensate, giving dry steam to the process

### COST SAVING:

- Reduced piping and components
- Reduced installation cost
- Lower long-term maintenance and operating costs
- Pennant offers 1 year guarantee on its manifolds



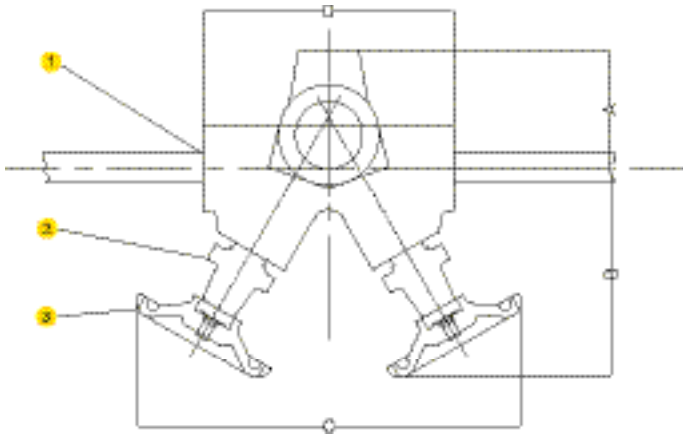
## CONDENSATE MANIFOLDS

### BENEFITS:

- Properly configured manifolds minimise the back-pressure on steam traps
- Better plant maintenance by reduced piping and components
- Easy-to-approach multiple steam traps & isolation valves

### COST SAVING:

- Reduced piping and components
- Reduced installation cost
- Lower long-term maintenance and operating costs
- Pennant offers 1 year guarantee on its manifolds



These manifolds are fully repairable and do not need to be removed/ discarded from the line. The valves used are soft seated piston valves which give a bubble tight shut-off. All seals & working parts are available as spares.

### HOW TO ORDER:

E.g.: PSCM – 10 | 4 | DN40 | SW | DN15 | SW

### DIMENSIONS:

Manifold Model	No. of take-offs per manifold				
		Size	End Connection	Size	End Connection
PSCM – 10	2	DN40	SW, Flanged - #150, #300	DN15 DN20	SCR - BSPT/ NPT, SW
	4				
	6				
	8				
	10				
	12				

\*Contact us for technical guidance in sizing / use of this product

\*Refer our installation & maintenance manual to install, operate & service the product

### MATERIAL:

SR. NO.	PART	MATERIAL	QTY.
1	Body	ASTM A105	1
2	Bonnet	ASTM A 105	1
3	Handwheel	Carbon Steel	1

### INTERNAL:

PART	Material	Qty.
Sealing Ring	Grafoil with SS reinforcement	4
Lantern Bush	SS 410	2
Piston	SS 304	2
Label	SS 304	1

### DIMENSIONS:

	Dimension (in mm)
A	150
B	255
C	480
D	310
E	165