

PDF10

DIFFUSER



DESCRIPTION:

The PDF10 diffuser, in full stainless steel construction, is used at the outlet of steam / air trap discharging to atmosphere. The diffuser reduces noise levels, velocity of condensate flow / splashing induced erosion.

FEATURES:

- Complete stainless construction.
- Compact design.
- Long life

SIZES: DN15, 20

CONNECTIONS:

Screwed (NPT/BSPT/BSP)
Socket Weld.

LIMITING CONDITIONS:

Suitable for traps rated upto PN63.

INSTALLATION:

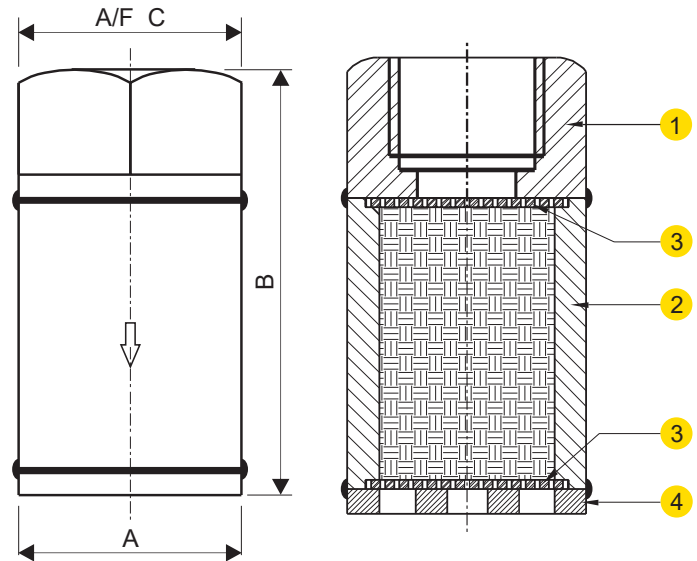
Installed on the downstream of the trap with outlet pointing downwards. Ensure that discharge is towards the ground or a safe enclosed space.

HOW TO ORDER:

PDF10 DN15 BSP

ORDERING INFORMATION:

- 1) Size & Model
- 2) End Connection



MATERIAL:

No.	PART	MATERIAL	QTY. (Nos.)
1.	END CONNECTOR	AISI 304	01
2.	BODY	AISI 304	01
3.	BAFFLE	AISI 304	02
4.	END PLATE	AISI 304	01

DIMENSIONS - Nominal in mm

SIZE	A	B	C	Wt. (kg)
DN15	34	65	32	0.22
DN20	34	70	36	0.25

Local regulations may restrict the use of this product below the conditions quoted. Limiting conditions refer to standard connections only. In the interest of development and improvement of the product, we reserve the right to change the specifications without prior notice.