

# PD63

## LIQUID DRAIN TRAPS



### DESCRIPTION:

PD63 float traps are designed to drain moisture/liquids from compressed air/gas systems.

### FEATURES:

The "H" pattern offers users multiple fitment options. Modulating discharge.

**USE:** Compressed air and non-corrosive gas compatible with the construction

**SIZES:** DN20, 25, 32

**CONNECTIONS:** Screwed (NPT/BSPT/BSP)

### LIMITING CONDITIONS:

PMA: Max. allowable pressure	16 kg/cm <sup>2</sup> (g)
TMA: Max. allowable temperature	220 °C
PMO: Max. operating pressure	10.5 kg/cm <sup>2</sup> (g)
TMO: Max. operating temperature	220 °C
Cold hydro test pressure	24 kg/cm <sup>2</sup> (g)

### INSTALLATION:

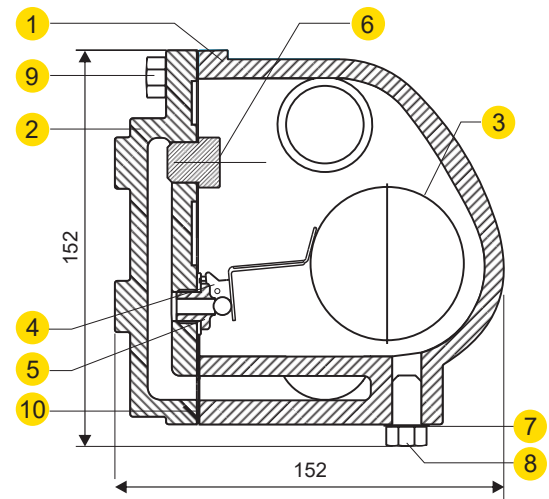
It is important to install the trap with the arrow on the label pointing straight up so that the connecting pipes are horizontal. Inlet and outlet connections are marked on the housing. Select connections suitable to the piping installation and plug the others. For effective moisture removal, the trap should be fitted below the drain point of the system being drained. It is recommended that an equalizer line be fitted as shown in the installation manual for this product

### TRAP DISCHARGE CAPACITY IN kg/hr (COLD WATER)

MODEL	Size	DIFFERENTIAL PRESSURE (kg/cm)																	
		0.02	0.04	0.07	0.14	0.35	0.70	1.0	1.40	1.75	2.10	2.80	3.50	4.20	5.25	6.35	7.00	8.50	10.5
PD63-1.0	DN20,25	215	275	375	505	600	810	920	--	--	--	--	--	--	--	--	--	--	--
PD63-1.0	DN32	240	320	430	575	1050	1555	1680	--	--	--	--	--	--	--	--	--	--	--
PD63-2.0	DN20,25	150	185	260	350	505	585	690	795	860	920	--	--	--	--	--	--	--	--
PD63-2.0	DN32	215	275	375	490	600	810	920	1035	1310	1510	--	--	--	--	--	--	--	--
PD63-5.0	DN20,25	135	168	235	285	355	405	460	490	545	570	665	750	825	920	--	--	--	--
PD63-5.0	DN32	165	210	285	380	565	730	810	875	905	935	1090	1230	1280	1395	--	--	--	--
PD63-10	DN20,25	125	160	195	215	255	280	300	335	365	400	475	565	615	710	780	840	915	1025
PD63-10	DN32	150	185	260	350	505	585	690	795	860	920	1060	1180	1215	1330	1380	1495	1580	1800

## MATERIAL:

NO.	PART	MATERIAL	QTY. (Nos.)
1.	BODY	CAST IRON	01
2.	COVER	CAST IRON	01
3.	BALL FLOAT & LEVER ASSY.	AISI 304	01
4.	BRACKET	AISI 304	01
5.	VALVE SEAT	AISI 410/420	01
6.	PLUG	STAINLESS STEEL	01
7.	GASKET	COPPER	01
8.	DRAIN PLUG	CARBON STEEL	01
9.	BOLT	HIGH TENSILE	06
10.	GASKET	Non CAF	01



## WEIGHT: (approx.)

DN20, 25 - 5.5 kg

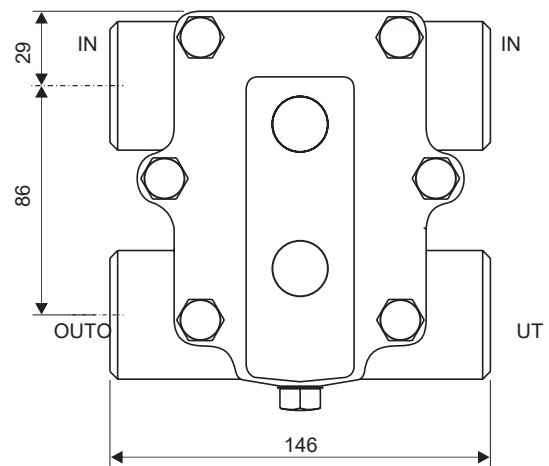
DN32 - 6 kg

## AVAILABLE SPARES:

Valve Seat, Ball Float & Lever Assly., Gaskets.

## ORDERING INFORMATION:

PD63-2.0 DN20 BSP



DIMENSIONS - Nominal in mm

## CAUTION:

DO NOT USE FOR HAZARDOUS/POISONOUS MEDIA