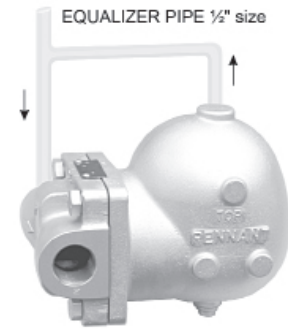


PD62

LIQUID DRAIN TRAPS



DESCRIPTION:

PD62 float liquid drain traps are designed to drain moisture/ liquids from compressed air/gas systems.

FEATURES:

Modulating discharge.

USE: Compressed air and non-corrosive gas compatible with the construction

SIZES: DN15, 20, 25

CONNECTIONS:

Screwed (NPT/BSPT/BSP)

Flanged* / Socket Weld

*End connection flanges of ASTM A105 forged carbon steel are welded on.

LIMITING CONDITIONS:

PMA: Max. allowable pressure	16 bar(g)
TMA: Max. allowable temperature	220 °C
PMO: Max. operating pressure	14 bar
TMO: Max. operating temperature	220 °C
Cold hydro test pressure	24 bar(g)

INSTALLATION:

Horizontal installation with flow from left to right. The trap should be installed below the drain point of the equipment with the flow direction as indicated by the arrow on the trap. It is recommended that an equalizer line be fitted as shown in the installation manual for this product. The word 'TOP' on the nameplate indicates the top side of the trap.

Max. differential pressure range:

PD62-4.5 : 4.5 bar

PD62-10 : 10 bar

PD62-14 : 14 bar

CAUTION:

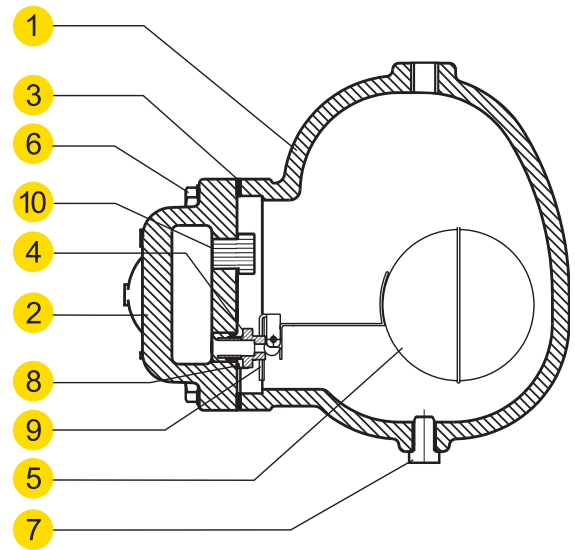
DO NOT USE FOR HAZARDOUS/POISONOUS MEDIA

DISCHARGE CAPACITY IN kg/hr (COLD WATER)

MODEL	SIZE	DIFFERENTIAL PRESSURE (bar)																
		0.5	1.0	1.5	2.0	3.0	4.0	4.5	5.0	6.0	7.0	8.0	9.0	10.0	11.0	12.0	13.0	14.0
PD62-4.5	DN15,20	259	364	416	454	520	591	645	---	---	---	---	---	---	---	---	---	---
PD62-4.5	DN25	1090	1226	1362	1499	1769	2039	2180	---	---	---	---	---	---	---	---	---	---
PD62-10	DN15,20	175	196	230	246	300	350	366	375	391	454	504	520	545	---	---	---	---
PD62-10	DN25	785	849	924	990	1129	1269	1334	1403	1540	1673	1813	1948	2083	---	---	---	---
PD62-14	DN15,20	165	180	196	216	250	285	300	321	350	386	425	454	490	525	559	591	625
PD62-14	DN25	554	591	625	666	735	804	840	879	949	1020	1090	1165	1234	1303	1385	1453	1529

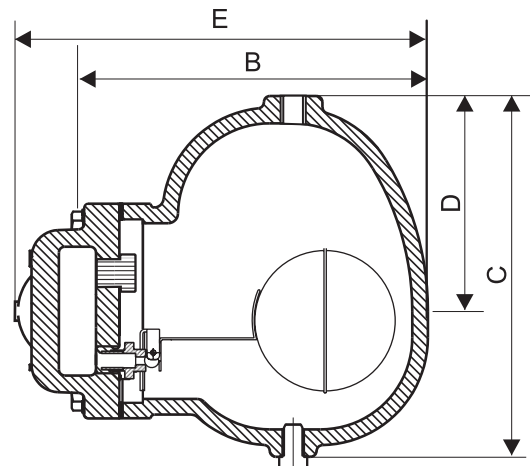
MATERIAL:

NO.	PART	MATERIAL	QTY. (Nos.)
1.	BODY	ASTM A216 Gr. WCB	01
2.	COVER	ASTM A216 Gr. WCB	01
3.	GASKET	Non CAF	01
4.	VALVE SEAT	AISI 410/420	01
5.	BALL FLOAT & LEVER ASSY.	AISI 304	01
6.	BOLT	ASTM A193 Gr. B7	04
7.	DRAIN PLUG	CARBON STEEL	01
8.	GASKET	COPPER	01
9.	BRACKET ASSY.	AISI 304	01
10.	PLUG	AISI 304	01



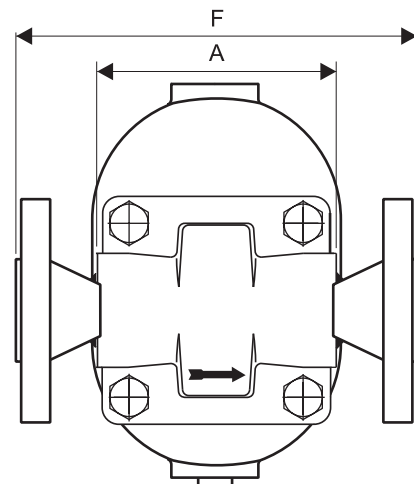
DIMENSIONS: Nominal in mm

SIZE	A	B	C	D	E	F	
						#150	#300
DN15	100	140	104	52	165	175	185
DN20	100	140	104	52	165	175	185
DN25	120	188	170	105	215	210	220



WEIGHTS: approx. in kg

SIZE	SCREWED/ SW ENDS	FLANGED ENDS	
		#150	#300
DN15	4.5	5.4	5.9
DN20	4.5	5.8	6.5
DN25	8	12	13



AVAILABLE SPARES:

Valve Seat, Ball Float & Lever Assly., Gaskets.

HOW TO ORDER:

PD62-4.5 DN25 BSP

ORDERING INFORMATION:

- 1) Inlet Pressure in bar(g)
- 2) Back Pressure in bar(g)
- 3) Operating Temperature in °C
- 4) Moisture Load in kg/hr
- 5) Size & Model
- 6) End Connections.

Local regulations may restrict the use of this product below the conditions quoted. Limiting conditions refer to standard connections only. In the interest of development and improvement of the product, we reserve the right to change the specifications without prior notice.