

PAE10

FLOAT TYPE AIR ELIMINATOR



DESCRIPTION:

PAE10 ball float air eliminator is designed to automatically discharge air/gas present in a liquid system.

SIZES: DN15, 20, 25

CONNECTIONS: Screwed (NPT/BSPT/BSP)

WEIGHT: (approx): 3.3 kg.

INSTALLATION:

Vertical installation with flow from bottom to top. The air eliminator should be installed at all high points of a liquid system wherever air can collect. It should be installed vertically above the pipe or equipment with inlet at the bottom.

The arrow on the nameplate should be pointing vertically upwards.

AVAILABLE SPARES:

Valve Seat, Ball Float & Lever Assly., Gaskets

LIMITING CONDITIONS:

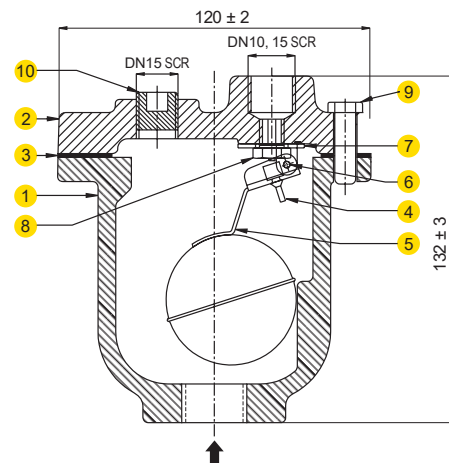
PMA: Max. allowable pressure	21 bar(g)
TMA: Max. allowable temperature	220 °C
PMO: Max. operating pressure	10.5 bar(g)
	17.5 bar(g)
	21 bar(g)
Cold hydro test pressure	32 bar(g)

CAUTION:

DO NOT USE FOR HAZARDOUS/POISONOUS MEDIA

AIR DISCHARGE CAPACITY AT 15 °C

INLET PRESS.		bar	0.5	1	2	3	4	5	6	7	8	9	10	10.5	12	15	17.5	20	21
m ³ /hr	orifice	1.5	1.41	1.96	2.95	3.93	4.91	5.90	6.88	7.86	8.84	9.82	10.80	11.34	---	---	---	---	---
	Size	1.2	.90	1.26	1.89	2.51	3.14	3.77	4.40	5.03	5.66	6.29	6.91	7.25	8.17	10.06	11.74	---	---
	mm	1.0	0.62	0.87	1.31	1.75	2.18	2.62	3.06	3.49	3.93	4.37	4.80	5.04	5.68	6.99	8.15	9.17	9.63



MATERIAL:

NO.	PART	MATERIAL	QTY. (Nos.)
1.	BODY	CAST IRON	01
2.	COVER	CAST IRON	01
3.	GASKET	NON CAF	01
4.	VALVE PIN	VITON	01
5.	FLOAT LEVER ASSY.	AISI 304	01
6.	BRACKET PIN	AISI 304	01
7.	BRACKET	AISI 304	01
8.	VALVE SEAT	AISI 304	01
9.	BOLTS	HIGH TENSILE	07
10.	PLUG	C.S.	01

HOW TO ORDER: PAE10 DN15 BSP NIBR

ORDERING INFORMATION:

- 1) Inlet Pressure in bar (g)
- 2) Operating Temperature in °C
- 3) Air Flow in kg/hr
- 4) Size & Model
- 5) End Connections

Local regulations may restrict the use of this product below the conditions quoted. Limiting conditions refer to standard connections only. In the interest of development and improvement of the product, we reserve the right to change the specifications without prior notice.