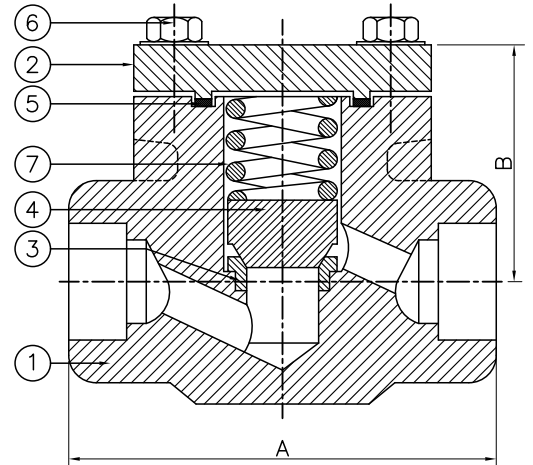


**LIFT CHECK VALVE #800**

**MATERIAL:**

NO.	PART NAME	MATERIAL	QTY.
1	BODY	ASTM A 105	1
2	COVER	ASTM A 105	1
3	SEAT RING	AISI 410 ( 13% CR. STEEL)-min. 300 BHN	1
4	PLUG/ DISC	AISI 410 ( 13% CR. STEEL)-min. 250 BHN	1
5	GASKET	S.S. SPIRAL WOUND WITH CAF / GRAFOIL	1
6	BOLT	ASTM A193 GR. B7	4
7	SPRING	AISI 304	1



**DIMENSION TABLE:**

SIZE	A	B	APPROX. WT.
15	85	123	1.5
20	92	136	1.8
25	105	144	2.5
40	125	182	6.2
50	135	204	9.2

**CHECK VALVE**

- Flanged ends/ Butt weld ends/ Socket weld ends are available
- Renewable, seal welded seat ring
- Tilting disc design available

All Dimensions are in mm. weights in kg.

Local regulations may restrict the use of this product below the conditions quoted. Limiting conditions refer to standard connections only. In the interest of development and improvement of the product, we reserve the right to change the specifications without prior notice.