

DESCRIPTION: Pennant Ball Valves have been designed for long life, economy, ease of operation and above all, safety. The design offers safety features because it does not allow the seal to get squeezed and break due to line pressure and temperature. This sealing system is virtually maintenance free but, if the necessity arises, then it can be easily re-tightened during service.

FEATURES:

- 1) 3 Piece body construction.
- 2) Easy maintenance and replacement of seals without removing the valve from the pipeline.
- 3) Reduced bore construction available.
- 4) Blowout proof stem design.
- 5) Padlock locking lever available.
- 6) Anti-static device standard.

SIZES:

DN15 to DN50 (1/2" - 2")
1000 WOG / 300 WSP

END CONNECTIONS:

Threaded

NPT - ASME B 1.20.1
BSP, BSPT - BS 21

Socket Weld / Butt Weld / Butt Weld with extension pipes

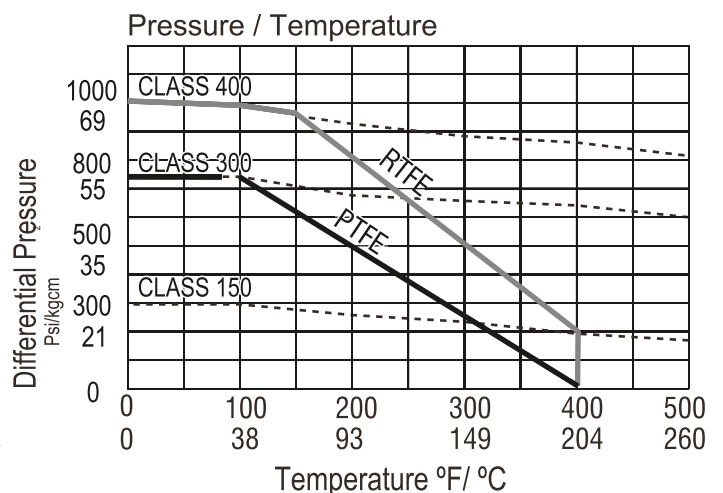
INSTALLATION:

- Remove the valve end protector.
- Clean valve ends.
- Flush pipeline to avoid damage to soft seals and ball surface.
- Install a strainer before valve.
- Assemble valve in full open condition.
- Butt welded valves - dismantle and remove seals before welding on pipeline.
- Extended butt weld ends allow direct welding to the pipeline without dismantling.
- Use proper torques to avoid damage to threaded ends.

MAINTENANCE: Periodically check valves for leakage indicating damage to seals, seat and ball.

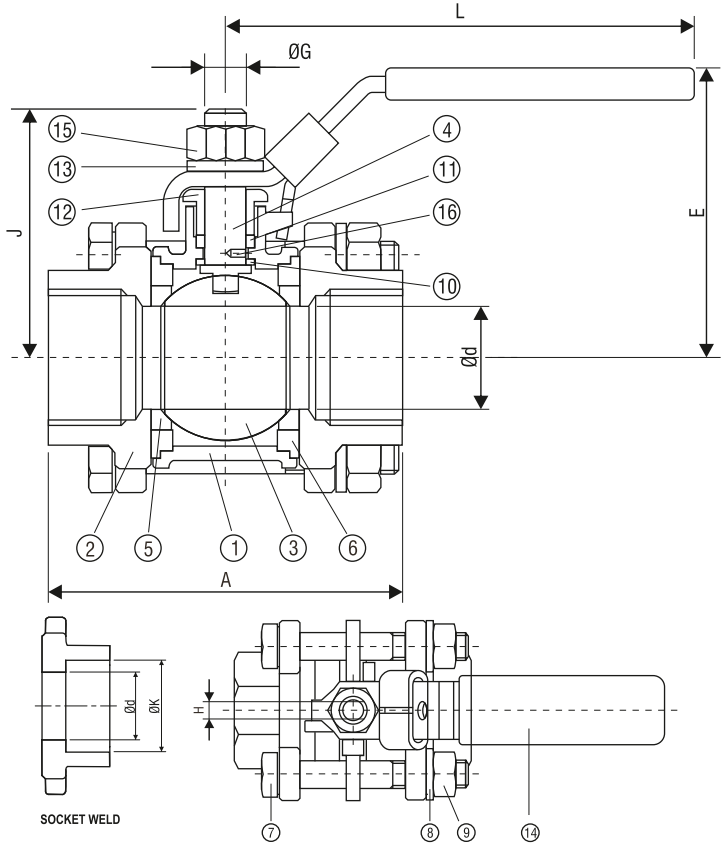
AVAILABLE SPARES: Stem bearing, stem packing, body seal pair, body seat, ball, set of all internals and ball.

ORDERING INFORMATION: Size, Pressure Class, Full Bore (FB) / Reduced Bore (RB) , End connection, Body MOC, Ball MOC, Media.



MATERIAL:

NO.	PART	MATERIAL	QTY.
1.	Body	Carbon Steel / WCB / CF8 / CF8M	1
2.	End Connector	Carbon Steel / WCB / CF8 / CF8M	1
3.	Ball	CF8 / CF8M	1
4.	Stem	316/304 Stainless Steel	1
5.	Seat	PTFE / RTFE	2
6.	Body Seal	PTFE	2
7.	Hex Bolt	ASTM A193 GR.B8M	4
8.	Lock Washer	SS	4
9.	Nut	ASTM A 194 GR.8M	4
10.	Stem Bearing	PTFE	1
11.	Stem Packing	PTFE	1
12.	Gland Nut	SS	1
13.	Lock Washer	SS	1
14.	Handle	Carbon Steel	1
15.	Stem Nut	SS	1
16.	Anti Static Device	SS	1



DIMENSION TABLE - in inches (mm.)

SIZE	½" / DN15		¾" / DN20		1" / DN25		1¼" / DN32		1½" / DN 40		2" / DN50	
	FB	RB	FB	RB	FB	RB	FB	RB	FB	RB	FB	RB
A	2.5 (63.5)	2.7 (68)	2.7 (68)	3.1 (79)	3.1 (79)	3.5 (90)	3.5 (90)	4.2 (107.5)	4.2(107.5)	5.0 (129)	5.0 (129)	
ØG	0.3 (8)	0.3 (8)	0.3 (8)	0.3 (10)	0.3 (8)	0.3 (10)	0.3 (10)	0.3 (10)	0.5 (14)	0.3 (14)	0.5 (14)	0.5 (14)
H	0.1(5)	0.1 (5)	0.1 (5)	0.2 (6)	0.1 (5)	0.2 (6)	0.2 (6)	0.2 (6)	0.3 (10)	0.2 (6)	0.3 (10)	0.3 (10)
J	1.7 (42.5)	1.9 (48)	1.7 (42.5)	2.3 (57.5)	1.9 (48)	2.4 (63)	2.3 (57.5)	3.0 (74)	2.4(63)	3.4 (88)	2.9 (74)	
Ød	0.5 (15)	0.7(20)	0.5 (15)	0.9 (25)	0.7 (20)	1.2 (32)	0.9 (25)	1.4 (38)	1.2 (32)	1.9 (50)	1.4 (38)	
ØK	0.8 (21.7)	1.0(27)	1.0 (27)	1.3(33.8)	1.3(33.8)	1.6 (42.5)	1.6 (42.5)	1.9 (48.6)	1.9 (48.6)	2.4 (61.1)	2.4 (61.1)	
L	4.0 (101)	4.0(101)	4.0(101)	5.7 (144)	4.0 (101)	5.7 (144)	5.7 (144)	7.8 (198)	5.7(144)	7.8 (198)	7.8 (198)	
E	2.1 (53.5)	2.2 (56)	2.1(53.5)	2.9 (74.5)	2.2 (56)	3.1 (80)	2.9 (74.5)	3.7 (93.5)	3.1(80)	4.0(102.5)	3.7 (93.5)	

WEIGHT - IN IBS (KG)

	½" / DN15		¾" / DN20		1" / DN25		1¼" / DN32		1½" / DN 40		2" / DN50	
	FB	RB	FB	RB	FB	RB	FB	RB	FB	RB	FB	RB
Weight	1.16 (0.53)	1.74 (0.79)	1.54 (0.70)	3.12 (1.42)	2.86 (1.3)	7.49 (3.4)	5.06 (2.3)	9.91 (4.5)	7.05 (3.2)	16.53(7.5)	13.22 (6)	

FLOW COEFFICIENT "CV"

VALVE	SIZE	½" DN15	¾" DN20	1" DN25	1¼" DN32	1½" DN40	2" DN50
#150	FB	19	40	79	135	208	434
	RB	-	15	32	55	90	126
#300	FB	17	36	69	120	195	395
	RB	-	13	28	52	85	115

MAXIMUM OPERATING TORQUE - LB-IN (NM)

VALVE	SIZE	½" DN15	¾" DN20	1" DN25	1¼" DN32	1½" DN40	2" DN50
#150	FB	35.5 (4)	53 (6)	88.5 (10)	135 (15)	177 (20)	221.5 (25)
	RB	-	35.5 (4)	53 (6)	70 (8)	88.5 (10)	177 (20)
#300	FB	53 (6)	70 (8)	133 (15)	205 (18)	283 (32)	354 (40)
	RB	-	53 (6)	71 (8)	98 (12)	135 (15)	283 (32)

All dimensions are in mm. and weights in kg

Local regulations may restrict the use of this product below the conditions quoted. Limiting conditions refer to standard connections only. In the interest of development and improvement of the product, we reserve the right to change the specifications without prior notice.