

PUN10

PIPE UNION



DESCRIPTION:

The PUN10 pipe union makes use of a spiral-wound gasket to provide an excellent leak-tight joint. Typical applications include joining steam / liquid / gas pipes at various junctions like inserting metering & regulatory devices, process equipment, etc. Also used for connecting pipes of different sizes together.

FEATURES:

- Easy to install as gasket is held firmly in place.
- Low maintenance costs - only gasket to be replaced whenever union is dismantled for maintenance.
- Gasket sealing eliminates the possibility of metal seal getting damaged as normally occurs in a conventional union.

USE:

In all liquid / gas application, saturated and superheated steam.

SIZES:

NPS 1/2, 3/4, 1, 1 1/4, 1 1/2, 2, 2 1/2, 3

CONNECTIONS: Screwed (NPT/BSPT/BSP)
Socket weld

LIMITING CONDITIONS:

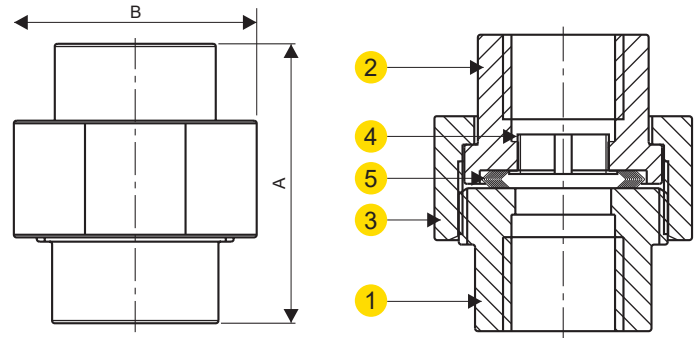
PMA: Max. allowable pressure	3045 psi @ 100 °F
PMO: Max. operating pressure	2145 psi @ 698 °F
Cold hydro test pressure	4575 psig

HOW TO ORDER:

Refer 'How to Order' page

ORDERING INFORMATION:

Refer 'How to Order' page



MATERIAL:

NO.	PART	MATERIAL	QTY. (Nos.)
1.	PLUG	ASTM A105*	01
2.	SOCKET	ASTM A105*	01
3.	NUT	ASTM A105*	01
4.	RETAINER	AISI 316	01
5.	GASKET	Spiral wound SS304 with graphite filter	01

* Other material on request.

DIMENSIONS: Nominal in inches

SIZE	A	B	Wt. (lbs)
1/2"	2	1.80	0.83
3/4"	2.20	2.20	1.32
1"	2.40	2.60	1.65
1 1/4"	2.80	2.56	2.75
1 1/2"	3	3.38	3.42
2"	3.38	4.0	5
2 1/2"	4	4.76	6.5
3"	4.30	5.30	8.82

Local regulations may restrict the use of this product below the conditions quoted. Limiting conditions refer to standard connections only. In the interest of development and improvement of the product, we reserve the right to change the specifications without prior notice.