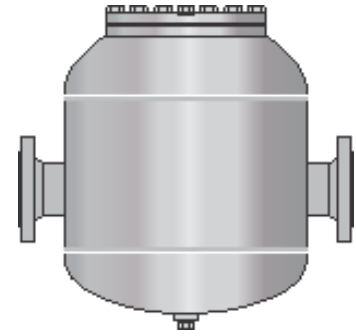


# PT67

## HIGH CAPACITY FLOAT OPERATED STEAM TRAPS



### DESCRIPTION:

PT67 high capacity float operated traps with manual airventing facility. Designed for draining condensate from all types of low and medium pressure heating and process equipment. Typical applications include unit heaters, heat exchangers, driers and jacketed vessels.

### FEATURES:

Modulating discharge.  
Discharges condensate at steam temperature.

### SIZES:

NPS 3,4,6

### CONNECTIONS:

Flanged #150, #300

### LIMITING CONDITIONS:

PMA: Max. allowable pressure	220 psig
TMA: Max. allowable temperature	425 °F
PMO: Max.. operating pressure	180 psig
TMO: Max. operating temperature	425 °F

### MATERIAL:

NO.	PART	MATERIAL	QTY. (Nos)
1.	BODY	ASTM A516 Gr. 70	01
2.	DISH END-TOP	ASTM A516 Gr. 70	01
3.	DISH END-BOTTOM	ASTM A516 Gr. 70	01
4.	BODY FLANGE	ASTM A516 Gr. 70	01
5.	COVER PLATE	ASTM A516 Gr. 70	01
6.	COVER GASKET	SPIRAL WOUND SS304 WITH GRAFOIL FILLER	01
7.	VALVE ASSLY.	AISI 304	01
8.	BALL FLOAT & LEVER ASSLY.	AISI 304	01
9.	BOLT	ASTM A193 Gr. B7	12
10.	DRAIN PLUG	ASTM A743 Gr. CA40	01
11.	GASKET	COPPER	01
12.	AIR VENT	AISI 304	01
13.	STAND	M.S.	01

### INSTALLATION:

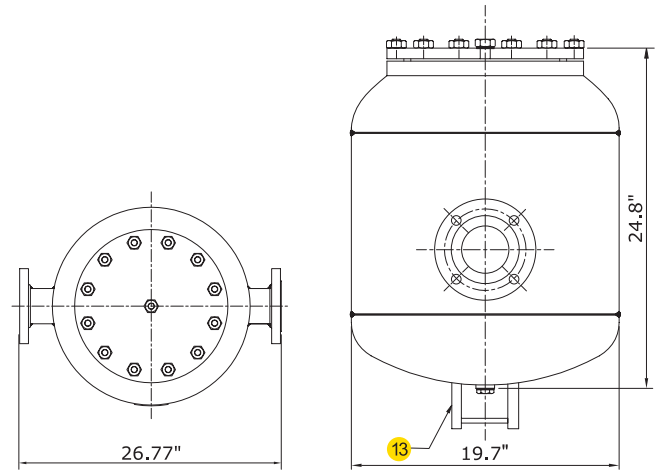
Horizontal installation.  
The trap should be installed horizontally below the drain point of the equipment.

Max. differential pressure range:

PT67-30 : 30 psi

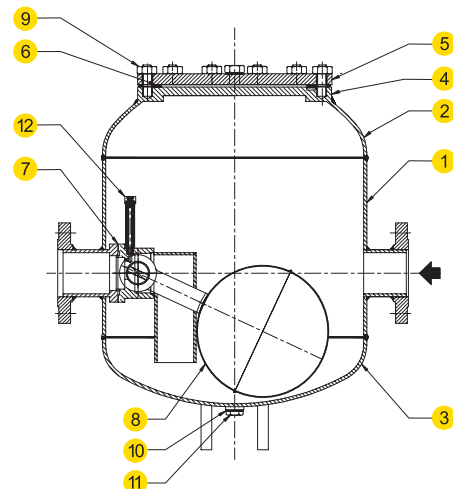
PT67-75 : 75 psi

PT67-180 : 180 psi



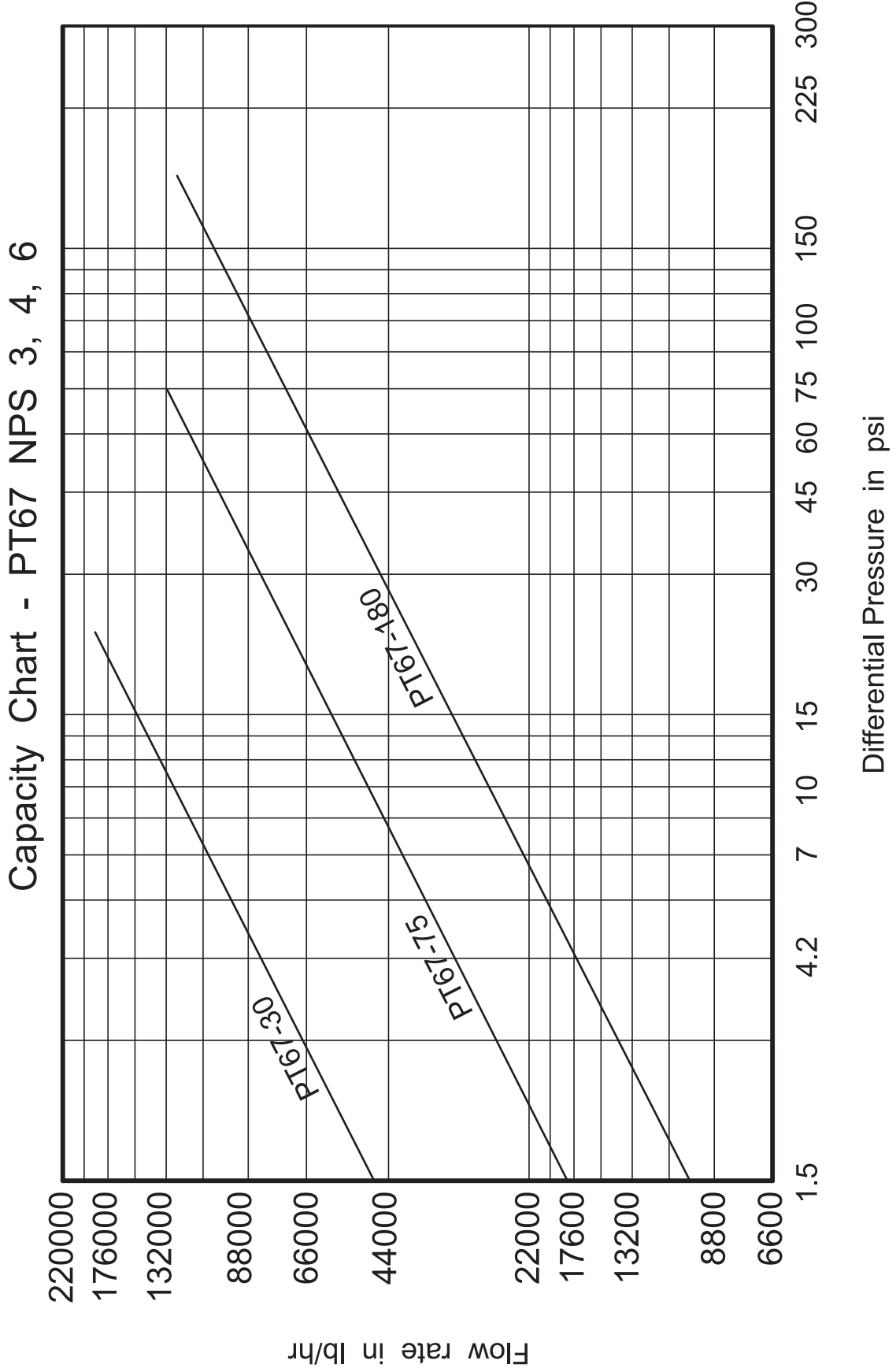
All dimensions in inch

For PT67- 30 inch dimensional details contact us.



All Dimensions in inches. weights in lbs.

**PT-67**  
High capacity float operated steam traps



Local regulations may restrict the use of this product below the conditions quoted. Limiting conditions refer to standard connections only. In the interest of development and improvement of the product, we reserve the right to change the specifications without prior notice.