

# PT65

## FLOAT & THERMOSTATIC STEAM TRAPS 1" (CAST IRON)



### DESCRIPTION:

Cast iron float and thermostatic (internal air vent) steam traps are designed for draining condensate from all types of low and medium pressure steam heating and process equipment. Typical applications include unit heaters, heat exchangers, driers and jacketed vessels. Horizontal installation.

### AVAILABLE TYPES:

PT 65 - with thermostatic air vent  
PT 65S - SLR (with steam lock release)  
PT 65C - with thermostatic air vent and SLR.

### FEATURES:

Modulating discharge.  
Discharges condensate at steam temperature.  
Excellent air venting (by thermostatic air vent).

### USE:

Saturated and superheated steam

### SIZES: NPS 1

### CONNECTIONS: Screwed (NPT, BSPT, BSP)

### LIMITING CONDITIONS:

PMA: Max. allowable pressure	250 psig
TMA: Max. allowable temperature	425 °F
PMO: Max.. operating pressure	200 psig
TMO: Max. operating temperature	425 °F
Cold hydro test pressure	375 psig

### INSTALLATION:

Horizontal installation with flow from left to right The trap should be installed horizontally below the drain point of the equipment in a position such that the float arm is in a horizontal plane and the float rises and falls vertically, with the flow direction as indicated on the cover.

The word 'TOP' on the nameplate indicates the top side of the trap.

Max. differential pressure range:

PT65-65 : 65 psi  
PT65-145 : 145 psi  
PT65-200 : 200 psi

### TRAP DISCHARGE CAPACITY IN lbs/hr

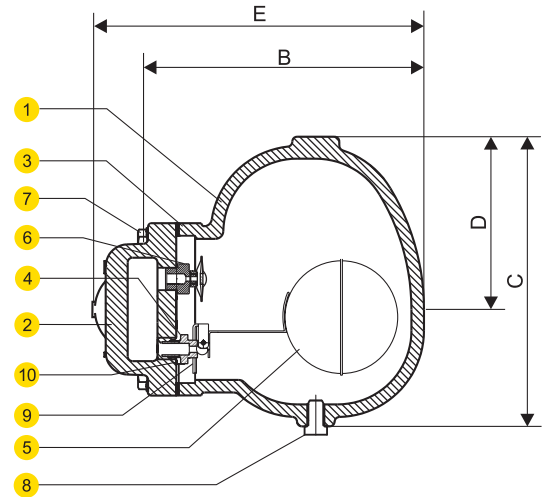
MODEL	TRAP SIZE	DIFFERENTIAL PRESSURE (psi)																
		7	15	21.5	28.5	42.5	57	65	70	85	100	115	128	145	157	170	185	200
PT65-65	1"	1850	2080	2310	2540	2990	3455	3685	-	-	-	-	-	-	-	-	-	-
PT65-145	1"	1330	1440	1562	1672	1915	2145	2255	2376	2610	2840	3070	3300	3530	-	-	-	-
PT65-200	1"	935	1000	1056	1122	1243	1365	1420	1485	1606	1727	1848	1970	2090	2210	2343	2465	2585

Recommended safety factor: steady condns. 1.5 - 2; fluctuating condns. 2-3

**MATERIAL:**

NO.	PART	MATERIAL	QTY. (Nos.)
1.	BODY	CAST IRON	01
2.	COVER	CAST IRON	01
3.	GASKET	Non CAF	01
4.	VALVE SEAT	AISI 410/420	01
5.	BALL FLOAT & LEVER ASSY.	AISI 304	01
6.	AIR VENT	STAINLESS STEEL	01
7.	BOLT	HIGH TENSILE	04
8.	DRAIN PLUG	CARBON STEEL	01
9.	BRACKET ASSY.	AISI 304	01
10.	GASKET	COPPER	01
11.	SLR UNIT	AISI 304	01

**PT65**



**DIMENSIONS:** Nominal in Inches

SIZE	A	B	C	D	E	F	Wt.
1"	4.75	7.40	6.90	4.15	8.45	9.65	15.4 lbs

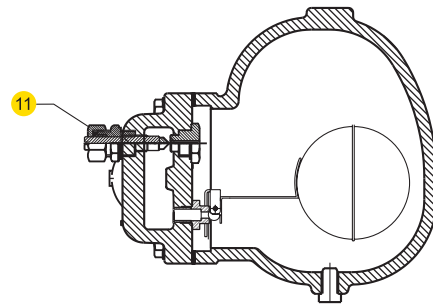
**AVAILABLE SPARES:**

Valve Seat, Ball Float & Lever Assly.,  
Air Vent Assly., Gaskets

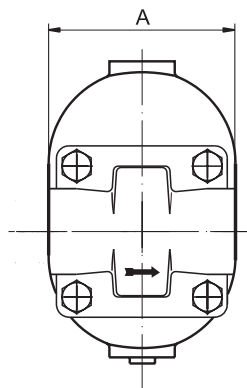
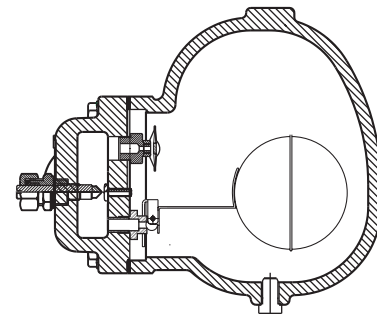
**ORDERING INFORMATION:**

Refer 'How to Order' page.

**PT65S** STEAM LOCK RELEASE (SLR)



**PT65C** THERMOSTATIC AIR VENT + SLR



Local regulations may restrict the use of this product below the conditions quoted. Limiting conditions refer to standard connections only. In the interest of development and improvement of the product, we reserve the right to change the specifications without prior notice.

# PT65

## FLOAT & THERMOSTATIC STEAM TRAPS 1½", 2" (CAST IRON)



### DESCRIPTION:

Cast iron float and thermostatic (internal air vent) steam traps are designed for draining condensate from all types of low and medium pressure steam heating and process equipment. Typical applications include unit heaters, heat exchangers, driers and jacketed vessels. Horizontal installation.

### AVAILABLE TYPES:

- PT 65 - with thermostatic air vent
- PT 65S - SLR (with steam lock release)
- PT 65C - with thermostatic air vent and SLR

### FEATURES:

- Modulating discharge.
- Discharges condensate at steam temperature.
- Excellent air venting (by thermostatic air vent).

**USE:** Saturated and superheated steam

**SIZES:** NPS 1½, 2

**CONNECTIONS:** Screwed (NPT/BSPT/BSP)

### LIMITING CONDITIONS:

PMA: Max. allowable pressure	250 psig
TMA: Max. allowable temperature	425 °F
PMO: Max. operating pressure	200 psig
TMO: Max. operating temperature	425 °F
Cold hydro test pressure	375 psig

### INSTALLATION:

Horizontal installation with flow from left to right. The trap should be installed horizontally below the drain point of the equipment in a position such that the float arm is in a horizontal plane and the float rises and falls vertically, with the flow direction as indicated on the cover. The arrow on the nameplate should be pointing vertically upwards.

Max. differential pressure range:

PT65-65 : 65 psi

PT65-145 : 145 psi

PT65-200 : 200 psi

### TRAP DISCHARGE CAPACITY IN lbs/hr

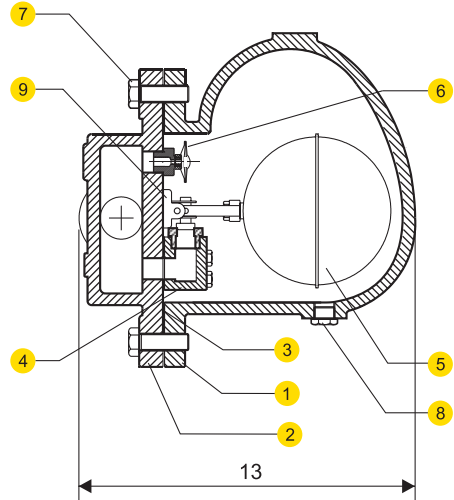
MODEL	TRAP SIZE	DIFFERENTIAL PRESSURE (psi)																
		7	15	21.5	28.5	42.5	57	65	70	85	100	115	128	145	157	170	185	200
PT65-65	1½", 2"	6655	7205	7755	8340	9460	10560	11135	-	-	-	-	-	-	-	-	-	-
PT65-145	1½", 2"	4920	5910	6270	6430	6820	7350	7525	7765	8150	8875	9700	10550	11275	-	-	-	-
PT65-200	1½", 2"	4280	4995	5590	6115	6545	6820	6995	7160	7415	7975	8560	9085	9615	10100	10560	11000	11430

\*Recommended safety factor: steady condns. 1.5-2; fluctuating condns. 2-3'

**MATERIAL:**

NO.	PART	MATERIAL	QTY. (Nos.)
1.	BODY	CAST IRON	01
2.	COVER	CAST IRON	01
3.	GASKET	NON CAF	01
4.	VALVE SEAT	AISI 410/420	01
5.	BALL FLOAT & Lever ASSY	AISI 304	01
6.	AIR VENT	AISI 304	01
7.	BOLT	HIGH TENSILE	06
8.	DRAIN PLUG	CARBON STEEL	01
9.	BRACKET ASSY.	AISI 304	01
10.	SLR UNIT	AISI 304	01

**PT65**



**WEIGHTS:** 64 lbs

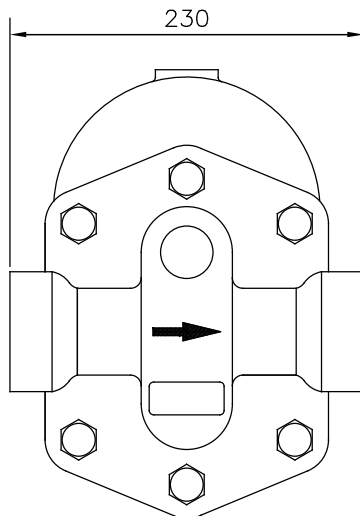
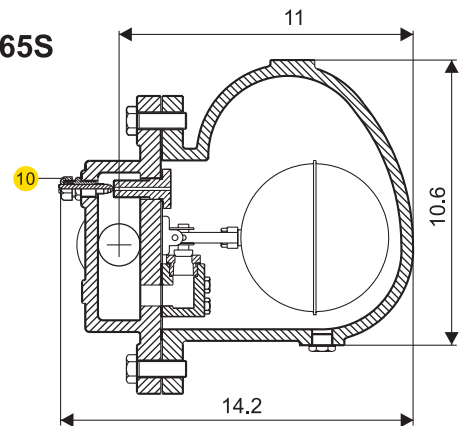
**AVAILABLE SPARES:**

Valve Seat, Ball Float & Lever Assly.,  
Air Vent Assly., Gaskets

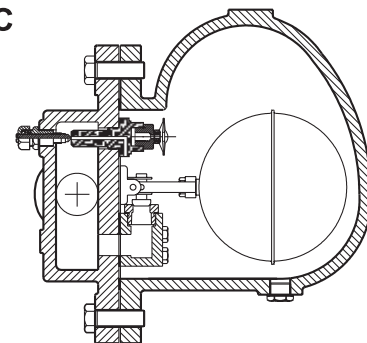
**ORDERING INFORMATION:**

Refer 'How to Order' page.

**PT65S**



**PT65C**



**DIMENSIONS - Nominal in inches**

Local regulations may restrict the use of this product below the conditions quoted. Limiting conditions refer to standard connections only. In the interest of development and improvement of the product, we reserve the right to change the specifications without prior notice.