

PT64

FLOAT & THERMOSTATIC STEAM TRAPS



DESCRIPTION:

PT64 float and thermostatic (internal air vent) steam traps are designed for draining condensate from building heating installations. They can also be used in low pressure industrial installations.

FEATURES:

Modulating discharge of hot condensate at close to saturation temperature. Good air venting facilitates a fast start-up.

USE:

Saturated and superheated steam.

SIZES: NPS 1¼", 1½", 2

CONNECTIONS: Screwed (NPT/BSPT/BSP)

LIMITING CONDITIONS:

| | |
|---------------------------------|----------|
| PMA: Max. allowable pressure | 250 psig |
| TMA: Max. allowable temperature | 425 °F |
| PMO: Max. operating pressure | 125 psig |
| TMO: Max. operating temperature | 425 °F |
| Cold hydro test pressure | 375 psig |

INSTALLATION:

It is important to install the trap with the label on the top and the connecting pipes horizontal. Inlet and outlet connections are marked on the housing.

For effective condensate removal, the trap should be fitted below the drain point of the system being drained.

TRAP DISCHARGE CAPACITY IN lbs/hr

| MODEL | TRAP SIZE | DIFFERENTIAL PRESSURE (psi) | | | | | | | | | | | | | |
|-----------|-----------|-----------------------------|------|------|------|------|------|-------|------|------|------|------|------|------|------|
| | | 1/4 | 1/2 | 1 | 2 | 5 | 10 | 15 | 20 | 30 | 40 | 50 | 75 | 100 | 125 |
| PT64 - 15 | 1¼", 1½" | 1050 | 1675 | 2400 | 3325 | 5000 | 6625 | 7550 | - | - | - | - | - | - | - |
| | 2" | 2275 | 2775 | 3625 | 4625 | 6900 | 9050 | 10875 | - | - | - | - | - | - | - |
| PT64 - 30 | 1¼", 1½" | 1000 | 1325 | 1700 | 2250 | 3385 | 4620 | 5530 | 6000 | 7000 | - | - | - | - | - |
| | 2" | 1300 | 1780 | 2550 | 3400 | 5180 | 6815 | 7800 | 8550 | 9990 | - | - | - | - | - |
| PT64 - 75 | 1¼", 1½" | 535 | 720 | 970 | 1300 | 1910 | 2660 | 3050 | 3400 | 4000 | 4390 | 4750 | 5420 | - | - |
| | 2" | 830 | 1090 | 1480 | 2000 | 3080 | 4125 | 4725 | 5200 | 5800 | 6425 | 6850 | 7735 | - | - |
| PT64-125 | 1¼", 1½" | 380 | 510 | 675 | 880 | 1310 | 1700 | 2065 | 2315 | 2710 | 3035 | 3225 | 3790 | 4200 | 4480 |
| | 2" | 550 | 670 | 875 | 1240 | 1975 | 2630 | 3050 | 3300 | 3830 | 4220 | 4600 | 5500 | 6120 | 6630 |

MATERIAL:

| NO. | PART | MATERIAL | QTY. (Nos.) |
|-----|--------------------------|-----------------|-------------|
| 1. | BODY | CAST IRON | 01 |
| 2. | COVER | CAST IRON | 01 |
| 3. | BALL FLOAT & LEVER ASSY. | AISI 304 | 01 |
| 4. | BRACKET | AISI 304 | 01 |
| 5. | VALVE SEAT | AISI 410/420 | |
| 6. | AIR VENT | STAINLESS STEEL | 01 |
| 7. | GASKET | NON CAF | 01 |
| 8. | DRAIN PLUG | CARBON STEEL | 01 |
| 9. | BOLT | HIGH TENSILE | 06* |
| 10. | GASKET | COPPER | 01 |

* 8 Nos. for 2"

WEIGHT: (approx.)

1 1/4", 1 1/2" : 15.4 lbs
2" : 26.5 lbs

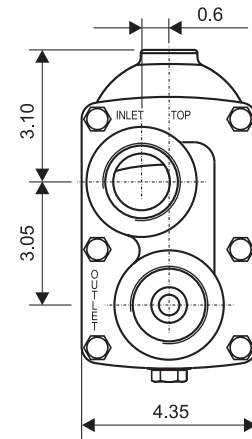
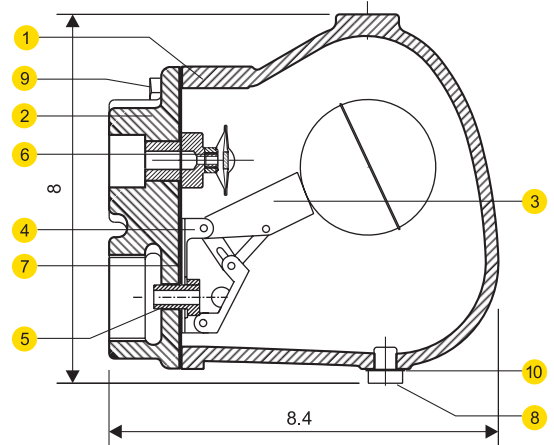
AVAILABLE SPARES:

Valve Seat, Ball Float & Lever Assly.,
Air Vent Assly., Gaskets

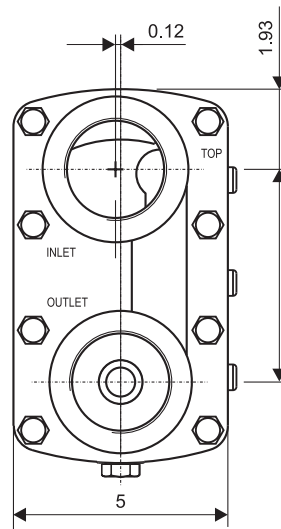
ORDERING INFORMATION:

Refer 'How to Order' page.

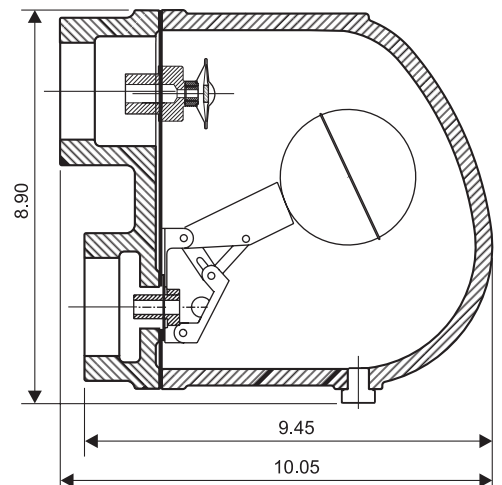
PT64 1 1/4", 1 1/2"



PT64 2"



DIMENSIONS - Nominal in inches



Local regulations may restrict the use of this product below the conditions quoted. Limiting conditions refer to standard connections only. In the interest of development and improvement of the product, we reserve the right to change the specifications without prior notice.