

PT63

FLOAT & THERMOSTATIC STEAM TRAPS



DESCRIPTION:

PT63 float and thermostatic (internal air vent) steam traps are designed for draining condensate from building heating installations. They can also be used in low pressure industrial installations.

FEATURES:

The "H" pattern offers users multiple fitment options. Modulating discharge of hot condensate at close to saturation temperature. Good air venting facilitates a fast start-up.

USE:

Saturated and superheated steam

SIZES: NPS 3/4, 1, 1 1/4, 1 1/2, 2

CONNECTIONS: Screwed (NPT/BSPT/BSP)

LIMITING CONDITIONS:

| | |
|---------------------------------|----------|
| PMA: Max. allowable pressure | 250 psig |
| TMA: Max. allowable temperature | 425 °F |
| PMO: Max. operating pressure | 125 psig |
| TMO: Max. operating temperature | 425 °F |
| Cold hydro test pressure | 375 psig |

INSTALLATION:

It is important to install the trap with the arrow on the label pointing straight up so that the connecting pipes are horizontal.

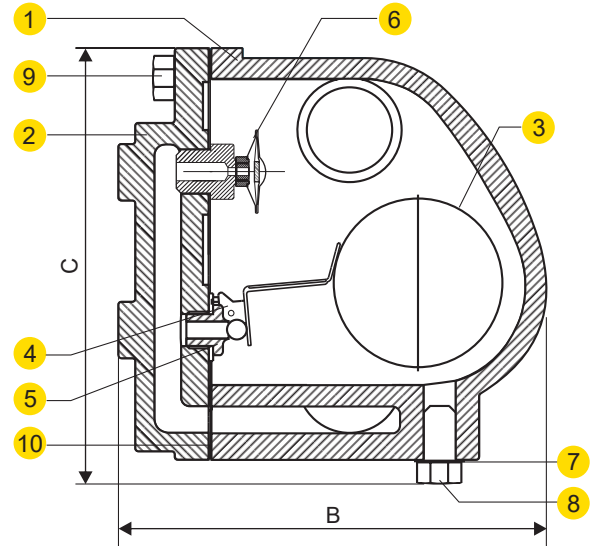
Inlet and outlet connections are marked on the housing. Select connections suitable to the piping installation and plug the others. For effective condensate removal, the trap should be fitted below the drain point of the system being drained.

TRAP DISCHARGE CAPACITY IN lbs/hr

| MODEL | TRAP SIZE | DIFFERENTIAL PRESSURE (psi) | | | | | | | | | | | | | | | | |
|----------|------------|-----------------------------|------|------|------|------|------|-------|------|------|------|------|------|------|------|------|------|------|
| | | 1/4 | 1/2 | 1 | 2 | 5 | 10 | 15 | 20 | 25 | 30 | 40 | 50 | 60 | 75 | 90 | 100 | 125 |
| PT63-15 | 3/4", 1" | 385 | 490 | 670 | 905 | 1075 | 1450 | 1650 | - | - | - | - | - | - | - | - | - | - |
| PT63-15 | 1 1/4" | 430 | 570 | 770 | 1025 | 1880 | 2780 | 3005 | - | - | - | - | - | - | - | - | - | - |
| PT63-15 | 1 1/2", 2" | 2275 | 2775 | 3625 | 4625 | 6900 | 9050 | 10875 | - | - | - | - | - | - | - | - | - | - |
| PT63-30 | 3/4", 1" | 265 | 330 | 465 | 625 | 900 | 1050 | 1235 | 1425 | 1540 | 1650 | - | - | - | - | - | - | - |
| PT63-30 | 1 1/4" | 385 | 490 | 670 | 905 | 1075 | 1450 | 1650 | 1850 | 2350 | 2700 | - | - | - | - | - | - | - |
| PT63-30 | 1 1/2", 2" | 1300 | 1780 | 2550 | 3400 | 5180 | 6815 | 7800 | 8550 | 9270 | 9990 | - | - | - | - | - | - | - |
| PT63-75 | 3/4", 1" | 240 | 300 | 420 | 505 | 630 | 725 | 820 | 905 | 980 | 1020 | 1190 | 1345 | 1480 | 1645 | - | - | - |
| PT63-75 | 1 1/4" | 295 | 375 | 510 | 685 | 1010 | 1310 | 1450 | 1565 | 1620 | 1675 | 1950 | 2205 | 2290 | 2500 | - | - | - |
| PT63-75 | 1 1/2", 2" | 535 | 720 | 970 | 1300 | 1910 | 2660 | 3050 | 3400 | 3700 | 4000 | 4390 | 4750 | 5085 | 5420 | - | - | - |
| PT63-125 | 3/4", 1" | 225 | 285 | 350 | 385 | 455 | 500 | 535 | 600 | 650 | 720 | 850 | 1010 | 1100 | 1275 | 1400 | 1505 | 1640 |
| PT63-125 | 1 1/4" | 265 | 330 | 465 | 625 | 900 | 1050 | 1235 | 1425 | 1540 | 1650 | 1900 | 2115 | 2175 | 2385 | 2470 | 2680 | 2830 |
| PT63-125 | 1 1/2", 2" | 380 | 510 | 675 | 880 | 1310 | 1700 | 2065 | 2315 | 2515 | 2710 | 3035 | 3225 | 3505 | 3790 | 3965 | 4200 | 4480 |

MATERIAL:

| NO. | PART | MATERIAL | QTY. |
|-----|--------------------------|-----------------|------|
| 1. | BODY | CAST IRON | 01 |
| 2. | COVER | CAST IRON | 01 |
| 3. | BALL FLOAT & LEVER ASSY. | AISI 304 | 01 |
| 4. | BRACKET | AISI 304 | 01 |
| 5. | VALVE SEAT | AISI 410/420 | 01 |
| 6. | AIR VENT | STAINLESS STEEL | 01 |
| 7. | GASKET | COPPER | 01 |
| 8. | DRAIN PLUG | CARBON STEEL | 01 |
| 9. | BOLT | HIGH TENSILE | 06 |
| 10. | GASKET | NON CAF | 01 |



DIMENSIONS: Nominal in inches

| SIZE | A | B | C | D | E |
|-------------|------|-----|------|------|------|
| ¾", 1", 1¼" | 5.75 | 6.0 | 6.0 | 3.38 | 1.13 |
| 1½", 2" | 7.5 | 8.0 | 8.25 | 4.00 | 2.55 |

WEIGHTS: (approx.)

| SIZE | SCR / SW |
|---------|----------|
| ¾", 1" | 12.2 lbs |
| 1¼" | 13.2 lbs |
| 1½", 2" | 24.2 lbs |

AVAILABLE SPARES:

Valve Seat, Ball Float & Lever Assly.,
Air Vent Assly., Gaskets

ORDERING INFORMATION:

Refer 'How to Order' page.

