

PT61SS

FLOAT & THERMOSTATIC STEAM TRAPS - 1/2", 3/4"



DESCRIPTION:

All stainless steel ball float and thermostatic (internal air vent) steam traps are designed for draining condensate from all types of low and medium pressure steam heating and process equipment. Typical applications include unit heaters, heat exchangers, driers and jacketed vessels.

AVAILABLE TYPES:

PT61SS - with Thermostatic Air Vent

FEATURES:

Modulating discharge.
Discharges condensate at steam temperature. Excellent air venting (by thermostatic air vent).

USE:

Saturated and superheated steam.

LIMITING CONDITIONS:

PMA: Max. allowable pressure	250 psig
TMA: Max. allowable temperature	425 °F
PMO: Max. operating pressure	200 psig
TMO: Max. operating temperature	425 °F
Body shell design rating	285 psig 800 °F
Cold hydro test pressure	375 psig

SIZES: NPS 1/2, 3/4

CONNECTIONS:

Screwed (NPT/BSPT/BSP) Socket Weld / Flanged*
*End connection flanges of Stainless steel are welded on.

INSTALLATION:

Standard horizontal installation with flow from right to left PT61SS.

UPON REQUEST:

- Horizontal installation with flow from left to right PT61SS (L-R)
- Vertical installation with flow from top to bottom PT61SS (V)

Max. differential pressure range:

PT61SS-4.5 : 65 psi

PT61SS-10 : 145 psi

PT61SS-14 : 200 psi

The trap should be installed below the drain point of the equipment in a position so that the float arm is in a horizontal plane and the float rises and falls vertically, with the flow direction as indicated on the body. The arrow on the nameplate should be pointing vertically upwards.

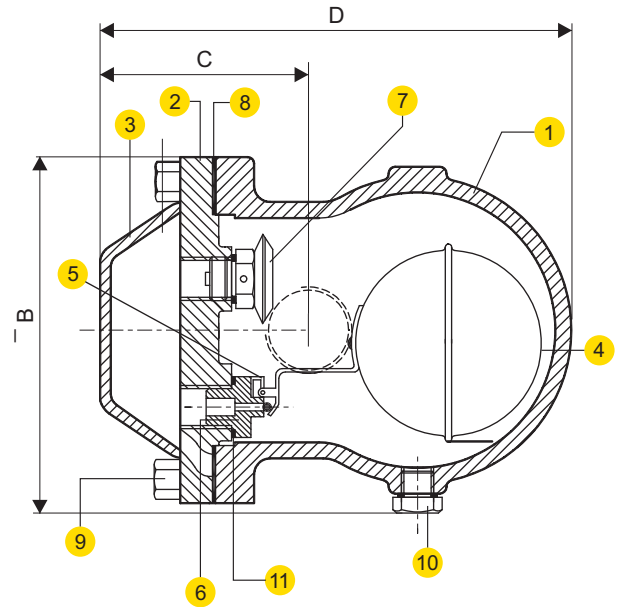
TRAP DISCHARGE CAPACITY IN lbs/hr

MODEL	TRAP SIZE	DIFFERENTIAL PRESSURE (psi)																
		7	15	21.5	28.5	42.5	57	65	70	85	100	115	128	145	157	170	185	200
PT61SS-65	1/2", 3/4"	440	616	705	770	880	1000	1090	-	-	-	-	-	-	-	-	-	-
PT61SS-145	1/2", 3/4"	297	330	365	396	462	530	560	615	660	770	860	890	925	-	-	-	-
PT61SS-200	1/2", 3/4"	275	308	330	363	418	485	506	540	595	650	715	770	825	890	946	1000	1060

Recommended safety factor: steady condns. 1.5 - 2; fluctuating condns. 2-3

MATERIAL:

NO.	PART	MATERIAL	QTY.
1.	BODY	ASTM A351 Gr. CF8	01
2.	COVER PLATE	ASTM A351 Gr. CF8	01
3.	TOP COVER	AISI 304	01
4.	BALL FLOAT & LEVER ASSY.	AISI 304	01
5.	BRACKET ASSY.	AISI 304	01
6.	VALVE SEAT	AISI 410/420	01
7.	AIR VENT ASSY.	STAINLESS STEEL	01
8.	COVER GASKET	NON CAF	01
9.	BOLT	STAINLESS STEEL	04
10.	DRAIN PLUG	STAINLESS STEEL	01
11.	GASKET	COPPER	01
12.	FLANGE	ASTM A182 Gr. F304	02



DIMENSIONS: Nominal in inches

SIZE	A	B	C	D	E	
					#150	#300
1/2", 3/4"	5.0	4.72	2.36	5.71	7.87	8.27

WEIGHTS: (approx.)

SIZE	SCR / SW	FLANGED	
		#150	#300
1/2"	7.25 lbs	10 lbs	10.75 lbs
3/4"	7.2 lbs	11 lbs	12.75 lbs

AVAILABLE SPARES:

Valve Seat, Ball Float & Lever Assly.,
Air Vent Assly., Gaskets

ORDERING INFORMATION:

Refer 'How to Order' page

