

# PT40

## STEAM TRAP WITH BIMETALLIC COLUMN



### DESCRIPTION:

Thermostatic steam trap with bimetallic column, inbuilt strainer and stainless steel internals. Best suited for steam tracers, header drip legs, heating coils and various process & heating applications.

### FEATURES:

- Stainless steel protected bimetal plates resist corrosion.
- Excellent resistance to water hammer.
- Sub-cooling temperature is adjustable.
- Tight shut off. No steam loss.
- Long lasting. Modulating discharge. Excellent air venting capability.
- Suitable for both saturated & superheated steam applications.

**SIZES:** NPS 1/2, 3/4

**CONNECTIONS:** Screwed (NPT/BSPT/BSP)  
Socket Weld/Flanged

\*End connection flanges of ASTM A105 forged carbon steel are weld on.

### LIMITING CONDITIONS:

PMA: Max. allowable pressure	450 psig
TMA: Max. allowable temperature	800 °F
PMO: Max. operating pressure	315 psig 425 psig
TMO: Max. operating temperature	760 °F
Cold hydro test pressure	675 psig

### INSTALLATION:

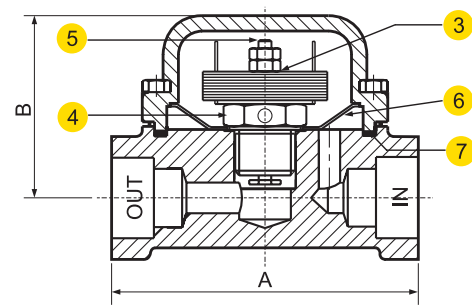
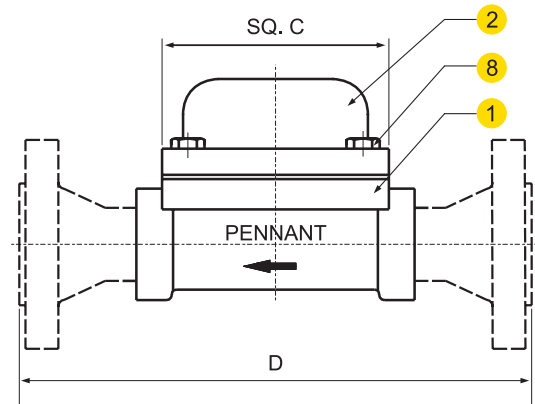
Trap should be installed in a horizontal plane with cover on the top, and below the drain point. Full port isolation valves should be installed upstream & downstream of the trap. Sufficient upstream piping capacity for accumulation of condensate should be provided to prevent condensate backing up into the equipment - 1mt. minimum.

### IMPORTANT:

For new pipelines, ensure that the lines are properly flushed, prior to fitting the traps, to avoid strainer choke up.

**MATERIAL :**

No.	PART	MATERIAL	QTY (Nos.)
1.	Body	ASTM A105	01
2.	Cover	ASTM A216 Gr. WCB	01
3.	Controller Assy.	BIMETAL/SS	01
4.	Seat	STAINLESS STEEL	01
5.	Valve Stem	STAINLESS STEEL	01
6.	Strainer Screen	AISI 304	01
7.	Gasket	CAF / Graphite with SS304 Reinforced	01
8.	Bolts	ASTM A193 Gr. B7	04



**DIMENSIONS:** Nominal in inches

SIZE	A	B	C	D	
				#150	#300
1/2"	3.95	1.95	3.15	6.95	7.30
3/4"	3.95	1.95	3.15	7.10	7.50

**WEIGHTS:** (approx.)

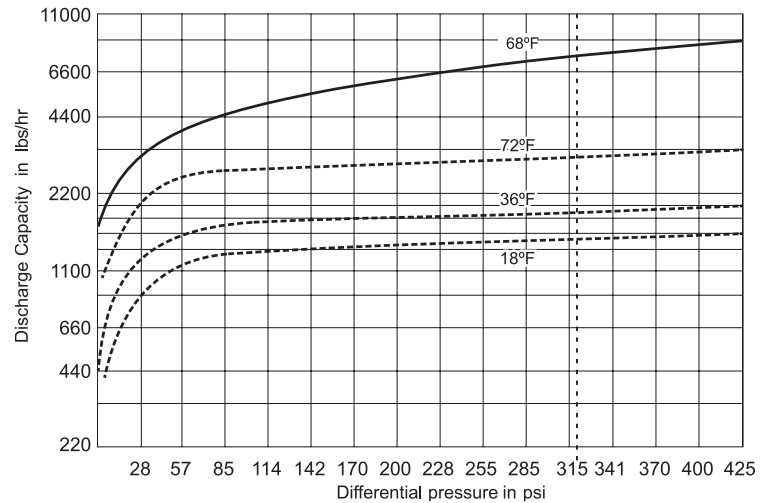
SIZE	SCR/SW	FLANGED	
		#150	#300
1/2"	4.2 lbs	7.0 lbs	7.7 lbs
3/4"	4.2 lbs	7.9 lbs	9.7 lbs

**AVAILABLE SPARES:**

Controller Assy., Gaskets, Strainer Screen.

**ORDERING INFORMATION:**

Refer 'How to Order' page



Local regulations may restrict the use of this product below the conditions quoted. Limiting conditions refer to standard connections only. In the interest of development and improvement of the product, we reserve the right to change the specifications without prior notice.