

PT31AV

BALANCED PRESSURE THERMOSTATIC AIR VENT



DESCRIPTION:

The PT31AV air vent is designed to remove air and noncondensable gases from steam systems. The removal of these gases is important for achieving better start-up efficiency and heat transfer in normal running.

SIZES: NPS 1/4, 3/8, 1/2, 3/4

CONNECTIONS: Screwed (NPT/BSPT/BSP)
Socket Weld

MATERIAL:

No.	PART	MATERIAL	QTY. (Nos.)
1.	BODY	AISI 304*	01
2.	COVER	AISI 304*	01
3.	COVER GASKET	NON-CAF	01
4.	STRAINER SCREEN	AISI 304	01
5.	CONTROLLER ASSY.	AISI 304	01
6.	GASKET	COPPER	01

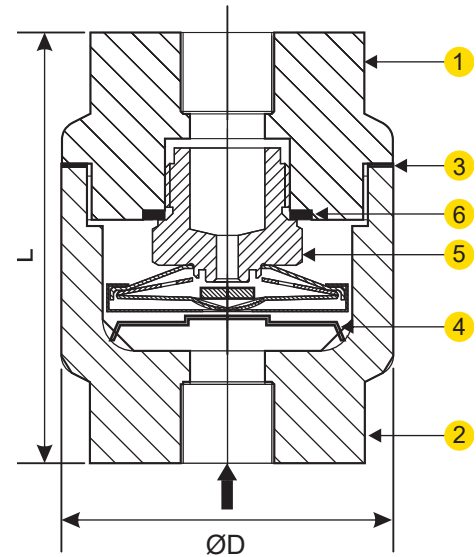
*ASTM-A182 GR-F304 on special request.

DIMENSIONS: Nominal in inches

SIZE	Ø D	L	Wt.
1/4, 3/8, 1/2, 3/4	2.16	2.8	1.8 lbs

INSTALLATION:

Preferably vertical with inlet from below.



LIMITING CONDITIONS:

PMA: Max. allowable pressure	315 psig
TMA: Max. allowable temp.	428 °F
PMO: Max. operating pressure	315 psig
TMO: Max. operating temp.	428 °F
Cold hydro test pressure	475 psig

AVAILABLE SPARES:

Controller, Strainer Screen, Gasket.

ORDERING INFORMATION:

Refer 'How to Order' page