

# PS11

## Y-TYPE STRAINER 2½" TO 8"



### DESCRIPTION:

Cast Y strainers with bolted screen retainers, and integrally cast flanges for steam, water, and process fluids. All strainers have a large flow area around the screen, to reduce pressure drop, and the screens have a flow area of 3 times.

### SCREEN:

40 mesh (standard)  
20, 60 and 100 mesh on request

### FEATURES:

- i) Designed to remove solid particles
- ii) Reduce levels of contamination

### SIZES: 2½", 3", 4", 6", 8"

Note: Higher Sizes on request

### LIMITING CONDITIONS:

FLANGE CLASS	DESIGN CONDITION	HYDRO TEST PRESSURE
#150	285 psi @ RT, 80 psi @ 800° F	428 psi(g)
#300	740 psi @ RT, 417.7 psi @ 800° F	1110 psi(g)

### INSTALLATION:

Maintenance can be completed with the strainer in the pipeline.

Suitable isolation valves must be installed to allow for safe maintenance.

Periodically the strainer screen should be thoroughly cleaned for better performance and life. With isolated strainer dismantle the bolted joint and remove strainer screen to remove muck and clean the screen thoroughly.

Fit the screen carefully and fit cover with new gasket. Tighten nuts uniformly.

### MATERIAL:

NO.	PART	MATERIAL	QTY.
1.	Body	ASTM A216 WCB*	01
2.	Cover	ASTM A216 WCB*	01
3.	Strainer Screen	AISI 304 (40 MESH)	01
4.	Gasket	SPIRAL WOUND SS304 WITH GRAPHITE FILLER	01
5.	Stud/Nut	ASTM A193 Gr. B7/2H	**
			**

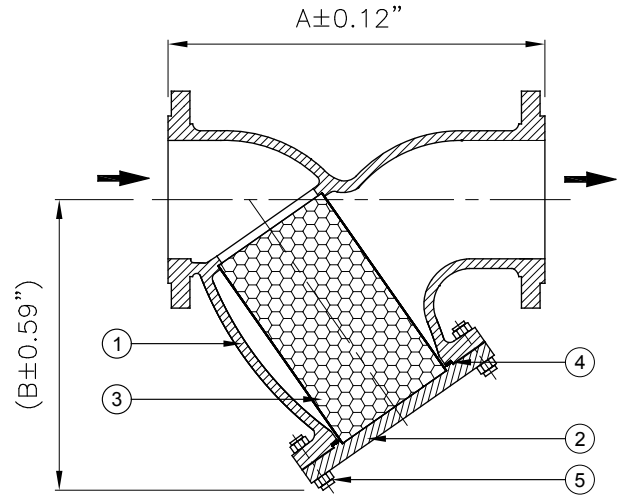
\* CF8, CF8M on request

\*\* Varies with size

**DIMENSIONS:** NOMINAL IN INCHES

#150			
SIZE	A	B	WEIGHT
			lbs
2½"	11.42	9.84	74
3"	12.20	10.87	84
4"	13.78	12.68	120
6"	18.90	14.49	199
8"	23.62	19.88	310

#300			
SIZE	A	B	WEIGHT
			lbs
2½"	12.52	9.84	88
3"	13.58	11.61	101
4"	15.16	12.68	155
6"	19.41	17.52	294
8"	24.49	20.67	462



**AVAILABLE SPARES:**

Screen, Gasket

**HOW TO ORDER:**

Refer 'How to Order' page

Local regulations may restrict the use of this product below the conditions quoted. Limiting conditions refer to standard connections only. In the interest of development and improvement of the product, we reserve the right to change the specifications without prior notice.