

PG71

SIGHT GLASS (SIGHT CHECK)



DESCRIPTION:

PG71 sight glasses are designed to check the flow of cooling water, lubricants, air, steam, etc. in a pipe line. They may also be used to check the functioning of steam traps. This simple device is also an effective back-flow preventer. Suitable for horizontal installation.

USE: Water, oil, steam, air and other non-corrosive media.

SIZES: NPS 1/2, 3/4, 1

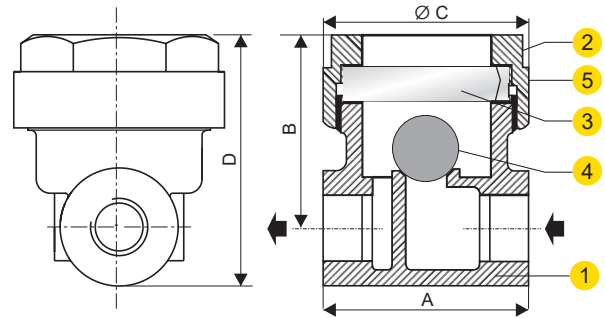
CONNECTIONS: Screwed (NPT/BSPT/BSP)

INSTALLATION:

The sight glass should be installed in a horizontal pipe line with the glass at the top. Enough space should be left open above the glass to facilitate checking of the flow/operation. In cases where the device is fitted to check the operation of a steam trap, it should be fitted at a distance of 5 to 6 feet downstream of the trap

DIMENSIONS: Nominal in inches

SIZE	A	B	C	D	Wt.
1/2"	3.30	2.80	3.00	3.62	3.1 lbs
3/4"	3.30	2.80	3.00	3.62	3.1 lbs
1"	3.30	3.00	3.00	4.00	3.5 lbs



LIMITING CONDITIONS: (for steam)

Maximum allowable pressure	228 psig
Maximum allowable temperature	400 °F
Cold hydro test pressure	350 psig

MATERIAL:

NO.	PART	MATERIAL	QTY.
1.	BODY	CAST IRON	01
2.	COVER	CAST IRON	01
3.	GLASS	TOUGHENEDBOROSILICATE	01
4.	BALL	PTFE	01
5.	GASKETS	NON CAF	02

AVAILABLE SPARES:

Set of Glass, Ball, Gaskets.

ORDERING INFORMATION:

Refer "How to Order" page

DISCHARGE CAPACITY IN lbs/hr (For hot condensate)

MODEL/ SIZE	DIFFERENTIAL PRESSURE (psi)																
	3.5	15	28.5	42.5	57	70	85	100	115	128	145	157	170	185	200	213	228
PG71 - 1/2"	2320	2618	3025	3430	3828	4235	4620	5038	5445	5840	6248	6645	7040	7460	7855	8260	8660
PG71 - 3/4"	3190	3575	4090	4620	5140	5655	6160	6700	7215	7733	8260	8780	9295	9810	10340	10855	11375
PG71 - 1"	3345	3830	4445	5105	5740	6350	7020	7655	8295	8930	9580	10240	10855	11495	12135	12770	13410
PG71 - 1 1/2", 2"	5830	6710	7975	9305	10705	11680	12970	13880	15665	17270	18040	18700	19120	19490	19900	22220	22615

Local regulations may restrict the use of this product below the conditions quoted. Limiting conditions refer to standard connections only. In the interest of development and improvement of the product, we reserve the right to change the specifications without prior notice.