

PFSPR

FABRICATED SEPARATOR

DESCRIPTION:

Moisture Separator is used to improve the quality of steam or compressed air. As steam or compressed air enters in to the separator, a series of internal baffles separate moisture from the media. Liquid droplets falls below due to gravity which needs to be drained by steam trap or Drain trap.

SIZES:

1/2", 3/4", 1", 1 1/2", 2", 2 1/2", 3",
4", 5", 6", 8", 10", 12"

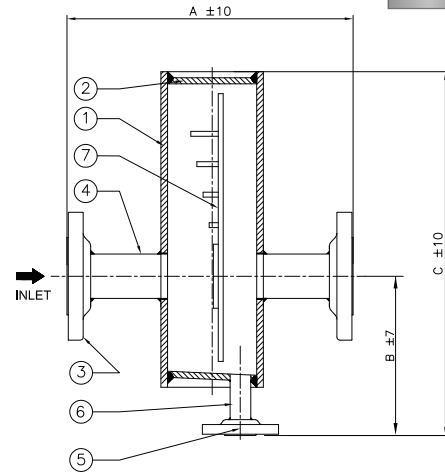
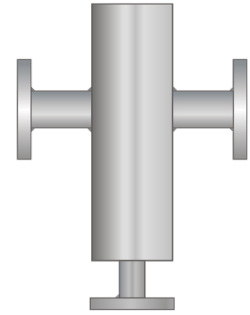
Available with IBR test certificates, on request.

LIMITING CONDITIONS:

| FLANGE TYPES | MAX. WORKING PRESSURE | MAX WORKING TEMPERATURE |
|--------------|-----------------------|-------------------------|
| #150 | 284.2 at 100 °F | 797 °F at 79.77 psi |
| #300 | 609.16 at 482 °F | 797 °F at 417.7 psi |

BILL OF MATERIAL:

| NO. | PART | MATERIAL | QTY. |
|-----|-----------------------|------------------|------|
| 1. | BODY | ASTM A106 Gr B | 01 |
| 2. | END PLATE | ASTM A516 Gr.70 | 02 |
| 3. | Inlet / OUTLET FLANGE | ASTM A105 | 02 |
| 4. | Inlet / OUTLET PIPE | ASTM A106 Gr. B | 02 |
| 5. | DRAIN FLANGE | ASTM A105 | 01 |
| 6. | DRAIN PIPE | ASTM A106 Gr. B | 01 |
| 7. | BAFFEL PLATE | ASTM A516 Gr. 70 | 01 |



INSTALLATION:

The Separator should be fitted with the Inlet & Outlet connections horizontally in line according to flow direction arrow marked on body. Drain should be pointed downwards, The steam trap or drain trap is required to be installed at drain point.

DIMENSIONS: (approx.) in inches:

| SIZES | A | B | C | D |
|--------|------|------|------|----|
| 1/2" | 11.5 | 5 | 5.1 | 3 |
| 3/4" | 11.5 | 5 | 5.1 | 3 |
| 1" | 11.5 | 5 | 5.1 | 3 |
| 1 1/2" | 11.5 | 5 | 5.1 | 3 |
| 2" | 11.8 | 6.3 | 7.0 | 3 |
| 2 1/2" | 14.5 | 6.9 | 7.0 | 4 |
| 3" | 14.5 | 7 | 7.2 | 4 |
| 4" | 19.7 | 10.6 | 11.8 | 6 |
| 5" | 21.7 | 11.8 | 12.2 | 8 |
| 6" | 24.5 | 266 | 11.7 | 10 |
| 8" | 26.5 | 10.5 | 18.2 | 12 |
| 10" | 27.6 | 15.7 | 19.7 | 14 |
| 12" | 32.5 | 22 | 30 | 18 |

HOW TO ORDER:

 Refer 'How to Order' page

Local regulations may restrict the use of this product below the conditions quoted. Limiting conditions refer to standard connections only. In the interest of development and improvement of the product, we reserve the right to change the specifications without prior notice.