

PD66

LIQUID DRAIN TRAPS 1½", 2"



DESCRIPTION:

High capacity float traps are designed for draining moisture and liquid from compressed air/gas systems.

FEATURES:

Modulating discharge.

USE:

Compressed air and non-corrosive gas compatible with the construction.

SIZES: NPS 1½, 2

CONNECTIONS: Screwed (NPT/BSPT/BSP)
Socket Weld/Flanged

LIMITING CONDITIONS:

PMA: Max. allowable pressure	250 psig
TMA: Max. allowable temperature	425 °F
PMO: Max.. operating pressure	65 psi
TMO: Max. operating temperature	425 °F
Body shell design rating	286 psig 800 °F
Cold hydro test pressure	375 psig

INSTALLATION:

Horizontal installation with flow from left to right. The trap should be installed horizontally below the drain point of the equipment in a position such that the float arm is in a horizontal plane and the float rises and falls vertically, with the flow direction as indicated on the cover.

The arrow on the nameplate should be pointing vertically upwards. It is recommended that an equalizer line be fitted as shown in the installation manual for the product

Max. differential pressure range:
PD66-65 : 65 psi

DISCHARGE CAPACITY IN lbs/hr (COLD WATER)

MODEL	TRAP SIZE	DIFFERENTIAL PRESSURE									
		0.5	1	2	5	10	15	20	30	40	65
PD66 - 65	1½", 2"	8316	10164	13776	15960	16860	19536	21180	26232	30480	40392

Recommended safety factor: steady condns. 1.5 ; fluctuating condns. 2

MATERIAL:

NO.	PART	MATERIAL	QTY. (Nos.)
1.	BODY	ASTM A216 Gr. WCB	01
2.	COVER	ASTM A216 Gr. WCB	01
3.	GASKET	Non CAF	01
4.	VALVE SEAT	AISI 410/420	02
5.	VALVE PIN		02
6.	BALL FLOAT	AISI 304	01
7.	LEVER	AISI 304	01
8.	PLUG	STAINLESS STEEL	01
9.	BOLT	A 193 Gr. B7	06
10.	DRAIN PLUG	CARBON STEEL	01
11.	STEM	AISI 304	01

WEIGHT:

Screwed/SW : 68 lbs
Flanged : 77 lbs

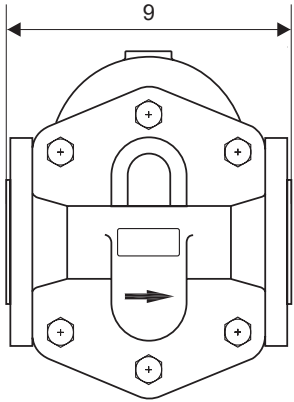
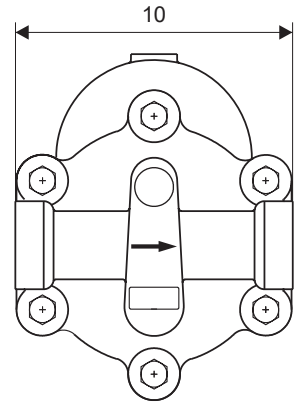
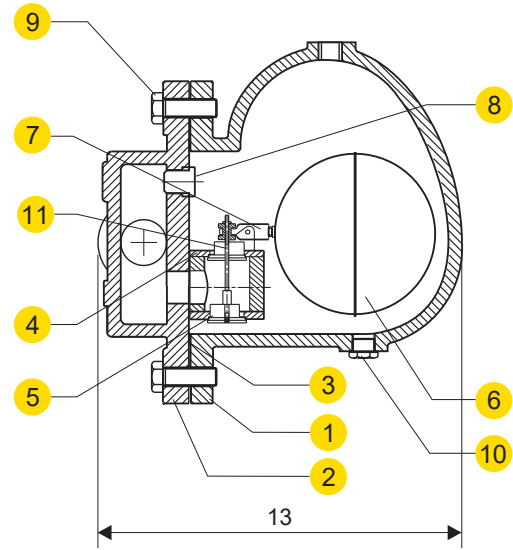
HOW TO ORDER:

Refer ' How to Order' page

CAUTION:

DO NOT USE FOR HAZARDOUS/POISONOUS MEDIA

PD66



DIMENSIONS - Nominal in inches

Local regulations may restrict the use of this product below the conditions quoted. Limiting conditions refer to standard connections only. In the interest of development and improvement of the product, we reserve the right to change the specifications without prior notice.