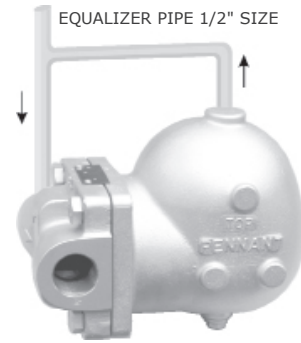


PD65

LIQUID DRAIN TRAPS (CAST IRON)



DESCRIPTION:

PD65 float traps are designed to drain moisture/liquids from compressed air/gas systems.

FEATURES:

Modulating discharge.

USE:

Compressed air and non-corrosive gas compatible with the construction.

SIZES: NPS 1

CONNECTIONS: Screwed (NPT/BSPT/BSP)

LIMITING CONDITIONS:

PMA: Max. allowable pressure	250 psig
TMA: Max. allowable temperature	425 °F
PMO: Max. operating pressure	200 psig
TMO: Max. operating temperature	425 °F
Cold hydro test pressure	375 psig

INSTALLATION:

Horizontal installation with flow from left to right. The trap should be installed below the drain point of the equipment with the flow direction as indicated by the arrow on the trap. It is recommended that an equalizer line be fitted as shown in the installation manual for this product. The word 'TOP' on the nameplate indicates the top side of the trap.

Max. differential pressure range:

PD65-65 : 65 psi

PD65-145 : 145 psi

PD65-200 : 200 psi

DISCHARGE CAPACITY IN lbs/hr (COLD WATER)

MODEL	TRAP SIZE	DIFFERENTIAL PRESSURE																
		7	15	21.5	28.5	42.5	57	65	70	85	100	115	128	145	157	170	185	200
PD65-65	1"	2400	2700	3000	3300	3895	4490	4800	-	-	-	-	-	-	-	-	-	-
PD65-145	1"	1728	1870	2180	2180	2485	2795	2938	3090	3390	3685	3993	4290	4588	-	-	-	-
PD65-200	1"	1220	1300	1465	1465	1617	1770	1850	1935	2090	2245	2400	2565	2718	2870	3050	3200	3366

MATERIAL:

NO.	PART	MATERIAL	QTY. (Nos.)
1.	BODY	CAST IRON	01
2.	COVER	CAST IRON	01
3.	GASKET	Non CAF	01
4.	VALVE SEAT	AISI 410/420	01
5.	BALL FLOAT & LEVER ASSY.	AISI 304	01
6.	BOLT	ASTM 193 Gr. B7	04
7.	DRAIN PLUG	CARBON STEEL	01
8.	GASKET	COPPER	01
9.	BRACKET ASSY.	AISI 304	01

DIMENSIONS: Nominal in inches

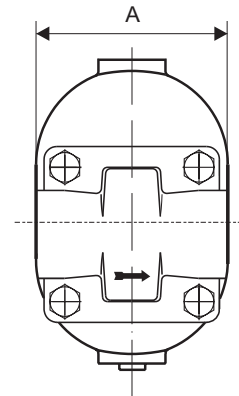
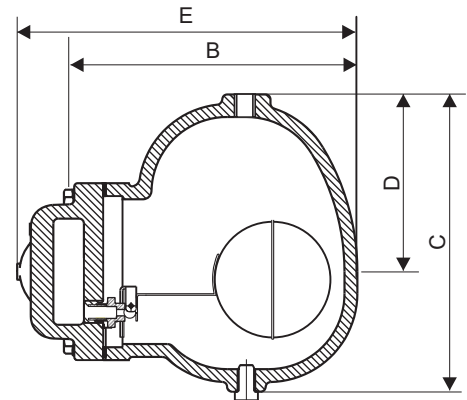
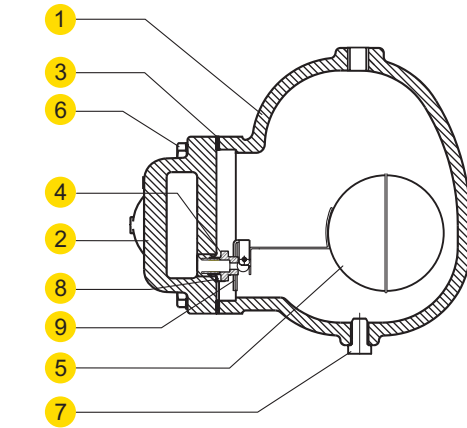
SIZE	A	B	C	D	E	Wt.
1"	4.75	7.40	6.90	4.15	8.45	15.4 lbs

AVAILABLE SPARES:

Valve Seat, Ball Float & Lever Assly., Gaskets.

ORDERING INFORMATION:

Refer 'How to Order' page



CAUTION:
DO NOT USE FOR HAZARDOUS/POISONOUS MEDIA

Local regulations may restrict the use of this product below the conditions quoted. Limiting conditions refer to standard connections only. In the interest of development and improvement of the product, we reserve the right to change the specifications without prior notice.