

# PD63

## LIQUID DRAIN TRAPS



### DESCRIPTION:

PD63 float traps are designed to drain moisture/liquids from compressed air/gas systems.

### FEATURES:

The "H" pattern offers users multiple fitment options. Modulating discharge.

**USE:** Compressed air and non-corrosive gas compatible with the construction

**SIZES:** NPS 3/4, 1, 1 1/4

### CONNECTIONS:

Screwed (NPT/BSPT/BSP)

### LIMITING CONDITIONS:

PMA: Max. allowable pressure	250 psig
TMA: Max. allowable temperature	425 °F
PMO: Max. operating pressure	150 psig
TMO: Max. operating temperature	425 °F
Cold hydro test pressure	375 psig

### INSTALLATION:

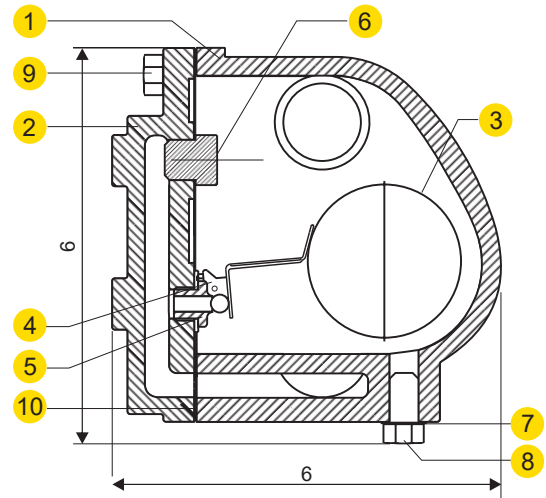
It is important to install the trap with the arrow on the label pointing straight up so that the connecting pipes are horizontal. Inlet and outlet connections are marked on the housing. Select connections suitable to the piping installation and plug the others. For effective moisture removal, the trap should be fitted below the drain point of the system being drained. It is recommended that an equalizer line be fitted as shown in the installation manual for this product

### TRAP DISCHARGE CAPACITY IN lbs/hr (COLD WATER)

MODEL	TRAP SIZE	DIFFERENTIAL PRESSURE																	
		3/4	1/2	1	2	5	10	15	20	25	30	40	50	60	75	90	100	125	150
PD63-15	3/4", 1"	475	605	825	1110	1320	1780	2025	-	-	-	-	-	-	-	-	-	-	-
PD6 -15	1 1/4"	530	705	945	1265	2310	3420	3695	-	-	-	-	-	-	-	-	-	-	-
PD63-30	3/4", 1"	330	405	570	770	1110	1285	1520	1750	1890	2025	-	-	-	-	-	-	-	-
PD63-30	1 1/4"	475	605	825	1080	1320	1780	2025	2275	2880	3320	-	-	-	-	-	-	-	-
PD63-75	3/4", 1"	295	370	515	625	780	890	1010	1080	1200	1255	1465	1650	1815	2025	-	-	-	-
PD63-75	1 1/4"	365	460	625	835	1245	1605	1780	1925	1990	2055	2400	2705	2815	3070	-	-	-	-
PD63-150	3/4", 1"	275	350	430	475	560	615	660	735	805	880	1045	1245	1355	1560	1715	1850	2015	2255
PD63-150	1 1/4"	330	405	570	770	1110	1285	1520	1750	1890	2025	2330	2595	2675	2925	3035	3290	3475	3960

**MATERIAL:**

NO.	PART	MATERIAL	QTY. (Nos.)
1.	BODY	CAST IRON	01
2.	COVER	CAST IRON	01
3.	BALL FLOAT & LEVER ASSY.	AISI 304	01
4.	BRACKET	AISI 304	01
5.	VALVE SEAT	AISI 410/420	01
6.	PLUG	STAINLESS STEEL	01
7.	GASKET	COPPER	01
8.	DRAIN PLUG	CARBON STEEL	01
9.	BOLT	HIGH TENSILE	06
10.	GASKET	NON CAF	01



**WEIGHT:** (approx.)

¾", 1" - 12.2 lbs

1¼" - 13.2 lbs

**AVAILABLE SPARES:**

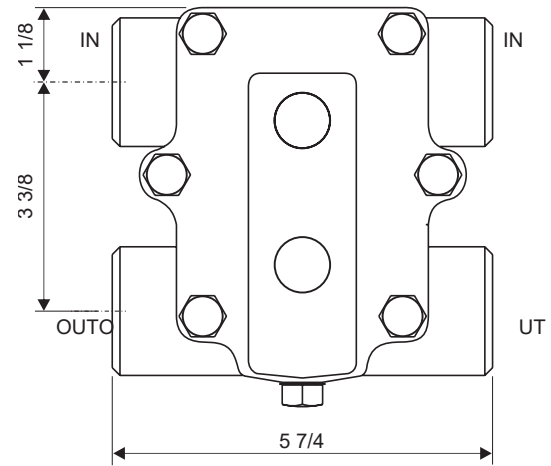
Valve Seat, Ball Float & Lever Assly., Gaskets.

**ORDERING INFORMATION:**

Refer 'How to Order' page

**CAUTION:**

DO NOT USE FOR HAZARDOUS/POISONOUS MEDIA



DIMENSIONS - Nominal in inches

Local regulations may restrict the use of this product below the conditions quoted. Limiting conditions refer to standard connections only. In the interest of development and improvement of the product, we reserve the right to change the specifications without prior notice.