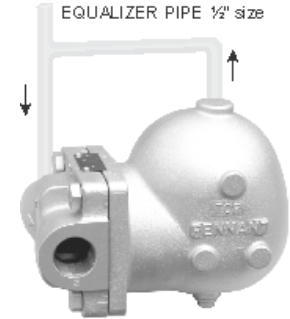


PD62

LIQUID DRAIN TRAPS 1/2", 3/4" & 1"



DESCRIPTION:

PD62 float traps are designed to drain moisture/liquids from compressed air/gas systems.

FEATURES:

Modulating discharge.

USE: Compressed air and non-corrosive gas compatible with the construction

SIZES: NPS 1/2, 3/4, 1

CONNECTIONS: Screwed (NPT/BSPT/BSP)
Socket Weld/Flanged

*End connection flanges of ASTM A105 forged carbon steel are welded on.

LIMITING CONDITIONS:

PMA: Max. allowable pressure	250 psig
TMA: Max. allowable temperature	425 °F
PMO: Max. operating pressure	200 psig
TMO: Max. operating temperature	425 °F
Cold hydro test pressure	375 psig

INSTALLATION:

Horizontal installation with flow from left to right. The trap should be installed below the drain point of the equipment with the flow direction as indicated by the arrow on the trap. It is recommended that an equalizer line be fitted as shown in the installation manual for this product. The word 'TOP' on the nameplate indicates the top side of the trap.

Max. differential pressure range:

PD62-65 : 65 psi

PD62-145 : 145 psi

PD62-200 : 200 psi

CAUTION:

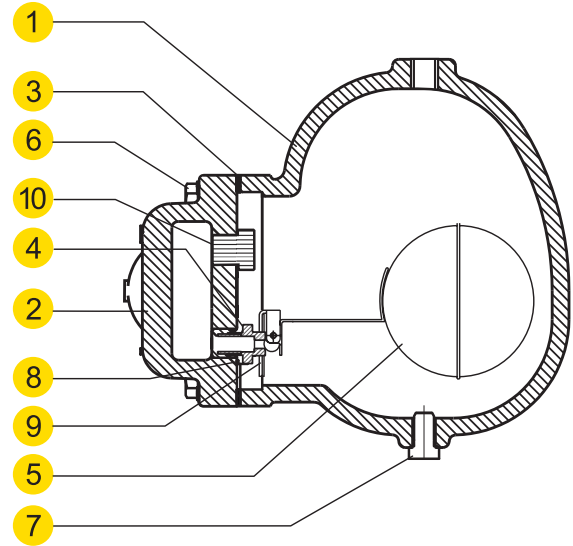
DO NOT USE FOR HAZARDOUS/POISONOUS MEDIA

DISCHARGE CAPACITY IN lbs/hr (COLD WATER)

MODEL	TRAP SIZE	DIFFERENTIAL PRESSURE																
		7	15	21.5	28.5	42.5	57	65	70	85	100	115	128	145	157	170	185	200
PD62-65	1/2", 3/4"	570	800	915	1000	1145	1300	1420	-	-	-	-	-	-	-	-	-	-
PD62-65	1"	2400	2700	3000	3300	3895	4490	4800	-	-	-	-	-	-	-	-	-	-
PD62-145	1/2", 3/4"	385	430	506	540	660	770	805	825	860	1000	1110	1145	1200	-	-	-	-
PD62-145	1"	1728	1870	2035	2180	2485	2795	2938	3090	3390	3685	3993	4290	4588	-	-	-	-
PD62-200	1/2", 3/4"	363	395	430	475	550	627	660	705	770	850	935	1000	1078	1155	1230	1300	1375
PD62-200	1"	1220	1300	1375	1465	1617	1770	1850	1935	2090	2245	2400	2565	2718	2870	3050	3200	3366

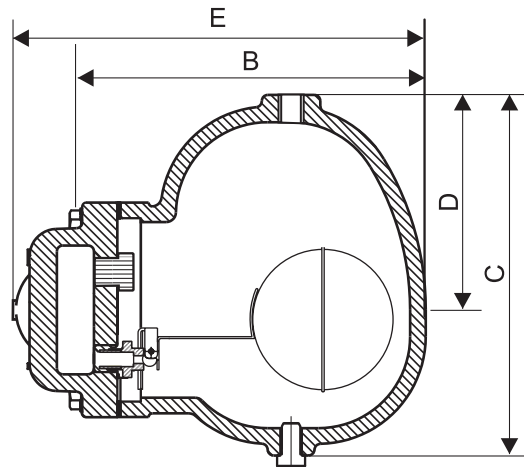
MATERIAL:

NO.	PART	MATERIAL	QTY. (Nos.)
1.	BODY	ASTM A216 Gr. WCB	01
2.	COVER	ASTM A216 Gr. WCB	01
3.	GASKET	NON CAF	01
4.	VALVE SEAT	AISI 410/420	01
5.	BALL FLOAT & LEVER ASSY.	AISI 304	01
6.	BOLT	ASTM A193 Gr. B7	04
7.	DRAIN PLUG	CARBON STEEL	01
8.	GASKET	COPPER	01
9.	BRACKET ASSY.	AISI 304	01
10.	PLUG	AISI 304	01



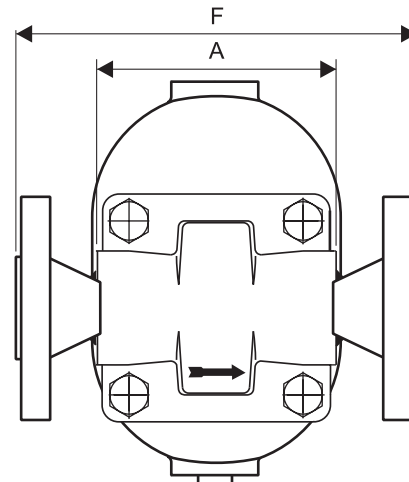
DIMENSIONS: Nominal in inches

SIZE	A	B	C	D	E	F	G	
							#150	#300
1/2"	3.95	5.50	4.10	2.05	6.5	7.7	6.9	7.3
3/4"	3.95	5.50	4.10	2.05	6.5	7.7	7.1	7.5
1"	4.75	7.65	7.65	4.35	8.65	9.85	8.25	8.66



WEIGHTS: approx. in lbs

SIZE	SCREWED/ SW ENDS	FLANGED ENDS	
		#150	#300
1/2"	9.9	12.0	13.0
3/4"	9.9	12.8	14.3
1"	19.8	28.5	31.0



AVAILABLE SPARES:

Valve Seat, Ball Float & Lever Assly., Gaskets.

ORDERING INFORMATION:

Refer to 'How to Order' page.

Local regulations may restrict the use of this product below the conditions quoted. Limiting conditions refer to standard connections only. In the interest of development and improvement of the product, we reserve the right to change the specifications without prior notice.