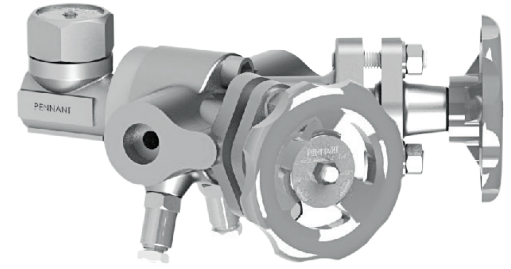


# PCM10

## COMPACT MODULE



### DESCRIPTION:

Pennant compact module is a complete unit in itself. It is a forged steel module comprising upstream and downstream isolation valves, a universal connection for fitting a steam trap, Vent valve on upstream side of the steam trap and steam trap test valve on the downstream side, and a by-pass passage provided within the body of the compact module. The strainer comes along with the steam trap.

The isolation cum by-pass valves are piston valves with stainless steel internals and special graphite seals that are designed for long life and give a bubble tight shut-off. All working parts are replaceable which means you never have to replace the manifold- just replace the few working parts as-and-when needed.

The integration of all necessary features makes the compact module self-sufficient and easy to install.

### BENEFITS:

- Reduced Piping
- Only two connections required
- Fully repairable

**SIZE:** ½", 1"

### CONNECTIONS:

Screwed (NPT/BSPT/BSP), Socket Weld

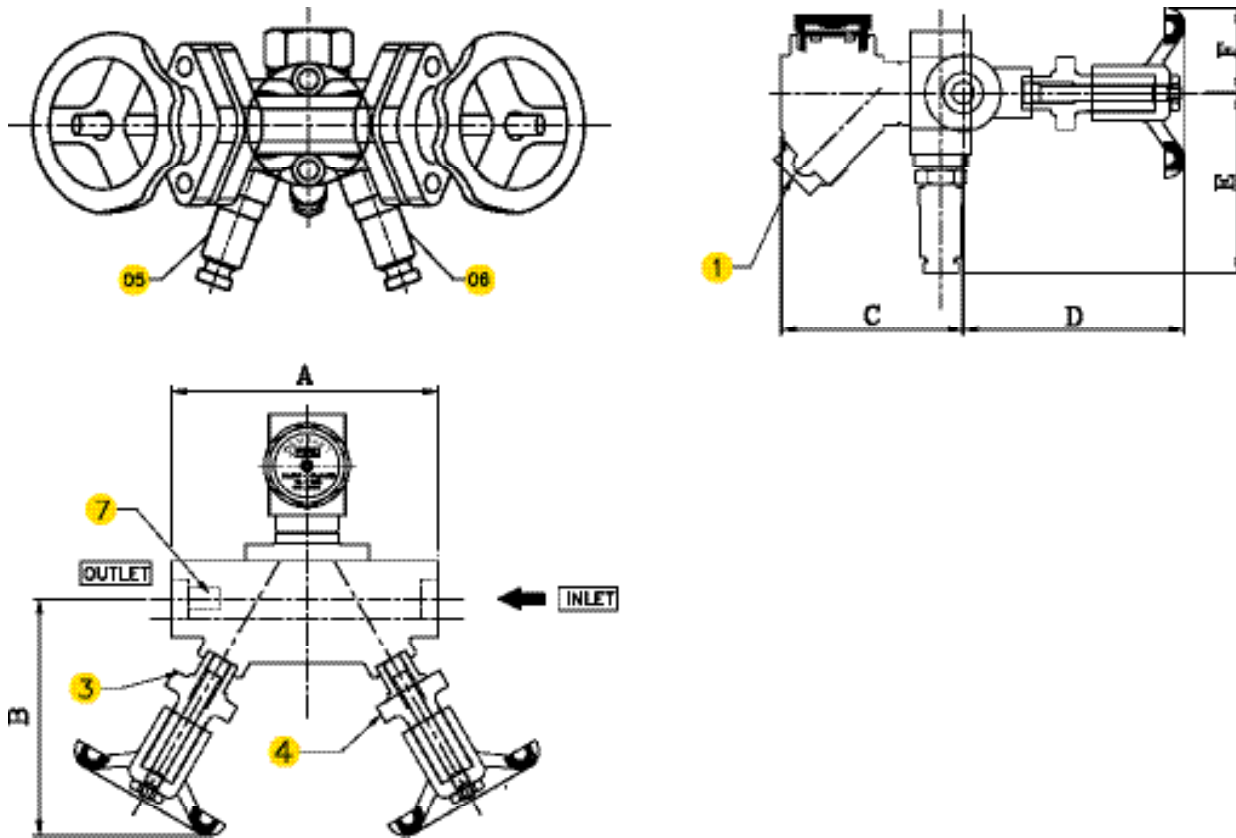
### LIMITING CONDITIONS:

MODEL	PCM	PCM+PT18Y	PCM+PT33U	PCM+PT61U
Material	ASTM A105	ASTM A743 Gr. CA40	ASTM A105	ASTM A105
Max. Press. Rating	609 psi	609 psi	319 psi	232 psi
Max. Temp. Rating	797 °F	797 °F	797 °F	428 °F
End Connection	SW connector	Universal Connector	Universal Connector	Universal Connector
Hydro Test Pressure	915 psi	915 psi	480 psi	350 psi
Flow Direction	Left to Right/ Right to Left			

### SIZE, ENDS CONNECTION & DIMENSION TABLE:

MODEL	SIZE	END CONNECTION	A	B	C	D	E	F
PCM 10	½"	SOCKET WELD/ SCREWED	5.8	5	3.9	6	4	1.8
	¾"							

## COMPACT MODULE:



## MATERIAL:

NO.	PART NAME	MATERIALS	QTY.
1.	Universal Thermodynamic Steam Trap	ASTM A105	01
2.	Compact Module PCM 10	ASTM A105	01
3.	Bypass Piston Valve	ASTM A105	01
4.	Isolation Piston Valve	ASTM A105	01
5.	Test Valve	CS	01
6.	Vent Valve	CS	01
7.	Non Return Valve	AISI 304	01

## AVAILABLE SPARES:

Sealing Ring Set, Handwheel, Set of Gaskets

## HOW TO ORDER:

Refer 'How to Order' page

## ORDERING INFORMATION:

- 1) Back pressure in psi
- 2) Operating Temperature in °F
- 3) Size
- 4) End Connection
- 5) Steam Trap – Thermodynamic PT18Y/  
Thermostatic PT33U/ Ball Float PT61U
- 6) Flow Direction – Left to Right/Right to Left
- 7) Vertical/Horizontal

Local regulations may restrict the use of this product below the conditions quoted. Limiting conditions refer to standard connections only. In the interest of development and improvement of the product, we reserve the right to change the specifications without prior notice.