

PAE10

FLOAT TYPE AIR ELIMINATOR



DESCRIPTION:

PAE10 ball float air eliminator is designed to automatically discharge air/gas present in a liquid system.

SIZES: NPS 1/2, 3/4, 1

CONNECTIONS: Screwed (NPT/BSPT/BSP)

WEIGHT: (approx): 7.2 lbs

INSTALLATION:

Vertical installation with flow from bottom to top. The air eliminator should be installed at all high points of a liquid system wherever air can collect. It should be installed vertically above the pipe or equipment with inlet at the bottom. The arrow on the nameplate should be pointing vertically upwards.

AVAILABLE SPARES:

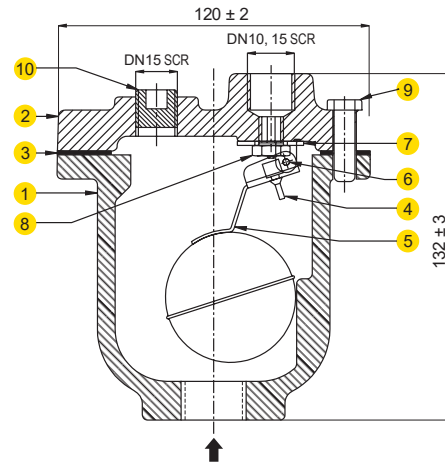
Valve Seat, Ball Float & Lever Assly., Gaskets

LIMITING CONDITIONS:

PMA: Max. allowable pressure	300 psig
TMA: Max. allowable temperature	425 °F
PMO: Max. operating pressure	150, 250 & 300 psig
Cold hydro test pressure	450 psig

CAUTION:

DO NOT USE FOR HAZARDOUS/POISONOUS MEDIA



MATERIAL:

NO.	PART	MATERIAL	QTY.
1.	BODY	CAST IRON	01
2.	COVER	CAST IRON	01
3.	GASKET	NON CAF	01
4.	VALVE PIN	VITON	01
5.	FLOAT LEVER ASSY.	AISI 304	01
6.	BRACKET PIN	AISI 304	01
7.	BRACKET	AISI 304	01
8.	VALVE SEAT	AISI 304	01
9.	BOLTS	HIGH TENSILE	07
10.	PLUG	C.S.	01

ORDERING INFORMATION:

- 1) Inlet Pressure in bar (g)
- 2) Operating Temperature in °C
- 3) Air Flow in kg/hr
- 4) Size & Model
- 5) End Connections

AIR DISCHARGE CAPACITY AT 1PSI (ABS) & 60 °F

INLET PRESS.		psi	7	15	30	45	60	75	90	100	115	125	145	150	175	225	250	290	305
m³/hr	orifice Size inches	1/16	0.85	1.16	1.74	2.3	2.9	3.5	4	4.65	5.2	5.8	6.35	6.7	-	-	-	-	-
		3/64	0.53	0.75	1.1	1.45	1.85	2.2	2.6	2.95	3.3	3.7	4.05	4.25	4.8	5.9	6.9	-	-
		1/25	0.35	0.5	0.75	1	1.3	1.5	1.8	2.05	2.3	2.55	2.8	2.96	3.35	4.1	4.8	5.4	5.6